
B-3000
Instant Chilled Filtered
Water System

billihome.com.au



Introducing the Billi B-3000.

Refreshingly clean, chilled water in the home at any time of the day or night.

The B-3000 dual-stage, large capacity filtration system efficiently removed pollutants and impurities from the water source. Its compact design and elegant style will complement a wide range of home designs.





Next generation
drinking water system.



Convenience, functionality and style.

—Variable chilled temperature

Users can vary the chilled water temperature to suit personal taste and the seasons. A simple adjustable control allows the temperature to be raised to 15°C or lowered to 6°C for perfectly chilled, refreshing drinks, with your required temperature being quickly reached and maintained.

—High-tech filtration system

Certified by global public safety agency NSF International, Billi's premium sub-micron filters ensure that health-threatening pollutants and impurities such as sediment, chemicals, heavy metals, chlorine and pesticides are safely removed while fluorides are retained, leaving users with refreshingly clean drinking water, every time.

—Energy efficient

Designed for maximum energy efficiency, the B-3000 features a large chilling capacity yet draws only a very minimal electrical current. This means less environmental impact and potential savings on power bills.

—Ventilation

Because there is no need for air clearance around the system, the B-3000 does not require cupboard ventilation. Instead, its design further enhances energy efficiency and removes the need for cabinet alterations.

—Not a sound

With no noisy cooling fan, the B-3000 is whisper quiet, vibration-free and completely unobtrusive in operation.

—Save on space

With a focus on space-saving, the compact B-3000 has been designed to simply integrate into any storage module design. It fits easily within a standard cupboard compartment, allowing users to make the most of the available area.

—Flexible font positioning

Combining design flexibility with supreme functionality, the Billi Font can be easily installed wherever it is needed, whether in the sink area or elsewhere – maximising the way space is utilised. And with its classic simplicity, the Billi Font will coordinate with other appliances.

—Style options

A choice of square or rounded Billi slimline tap styles means that it can be matched with surrounding design elements.

—Easy-change replacement filter

Replacing the B-3000 filter cartridge is effortless. The patented swing-change filter swings forward and slides off. Fitting the new filter is just as easy: simply slide the filter in and swing it back. The cartridge locks into place.

—Commitment to quality

A strong commitment to quality is as important to Billi as style, function and innovation. Recognising the importance of reliability to customers, all Billi water systems are manufactured to strict quality standards and built to last. And every system is designed to provide the highest possible standards of efficiency and energy savings.



Cupboard space saving



Design option

Innovative Billi B-3000 design,
a pleasure to use.



Billi B-3000 specifications.

—Options and accessories

- Finishes: Standard finish for the B-3000 dispenser is bright chrome.
- Billi Font: Allows the B-3000 to be located away from sink areas and is finished in polished stainless steel.
- Tubing extension kit: Allows the dispenser to be offset from the underbench unit.

—Easy installation

Installing the B-3000 is simple. Colour-coded flexible tubing and easy-connect fittings ensure a rapid and trouble-free operation.

—Water supply

A single 15mm (1/2") stop-tap with a male thread should be installed in an easily accessible position. The water supply must be microbiologically safe to drink, with a minimum dynamic water pressure of 250kPa.

—Power supply

A standard 10 amp power outlet is required in the cupboard area where the unit is to be installed. All B-3000 models are supplied with a 1 metre flex cord and plug.

—Replacement filters

Periodic replacement of filter cartridges is necessary to maintain water quality. Genuine replacement Billi filter cartridges are available online at www.billihome.com.au and from local approved suppliers. Cartridges are also available to suit the particular needs of different water supply areas.

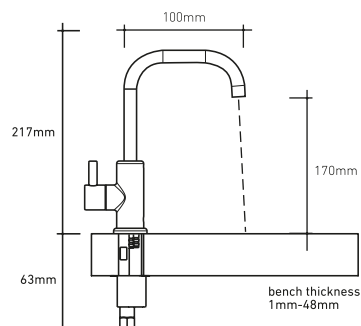
—Warranty

All components of the B-3000 are covered by a 24-month* warranty. Filter cartridges are a consumable and are not covered by warranty, as water conditions and usage vary.

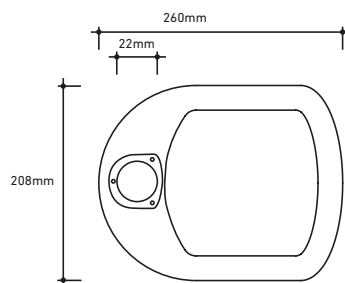
*24-month warranty dependant on installation by Billi service technician.

—Certifications

Every Billi drinking water appliance is manufactured under a certified quality control system. The B-3000 has been tested and complies with all required standards, including: Watermark Licence Number 21882; tested to ATS 5200.105:2005; AS/NZS ISO 9001 Certificate Number QEC 11627; C-Tick approved; complies with AS1428 requirements for access for the disabled.



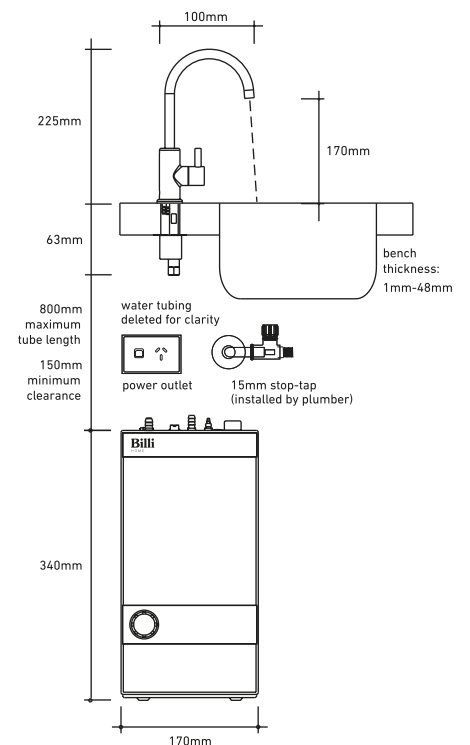
billi square dispenser dimensions



billi font benchtop layout

—Specifications

Product Code	—913000
Initial Cup Delivery	—12
Chilled Water Delivery (Cups Per Hour)	—60
Total Current Draw (amps)	—10
Height (mm)	—340mm
Width (mm)	—170mm
Depth (mm)	—450mm





Billi Pty Ltd
42 Lucknow Crescent, Thomastown
Victoria 3074 Australia

Telephone +61 3 9469 0400
Facsimile +61 3 9469 0499

www.billihome.com.au

Designed and manufactured in Australia.

As Billi Pty Ltd has a policy of continual improvement, all details are subject to change without notice. All goods are sold subject to our published terms and conditions. Billi is a registered trademark. 0610