

Billi™ KwikWash



Hands-free
sensor tap and
mini hot water
system



Innovative Billi **KwikWash** design... saves time, water and power.

Instant warm water

The Billi **KwikWash** mini hot water service stores hot water at above 65°C. This is mixed with a flow of cold water to achieve warm water at a comfortable 38°-40°C. The Billi **KwikWash** saves time, water, power and space by storing only as much hot water as needed. Its rapid recovery after use means no waste and no waiting.

Handsfree sensor

The Billi **KwikWash** tap has a unique electronic sensor built into its spout which automatically detects hand movement in the handwashing zone. A nozzle indicator light glows green when the tap is ready for use, orange when hands have been detected and red should a safety cut out occur.

Scald-safe design

Billi **KwikWash** incorporates inbuilt safety sensors and supply of water is stopped should the temperature exceed 45°C.

Bacteria-free

Billi **KwikWash** stores hot water at above 65°C, destroying Legionella and other harmful bacteria.

Disability conscious design

User friendly and ergonomically designed, the Billi **KwikWash** sensor tap conforms to current Australian Standards for ease of use by persons with a disability.

Wide range of applications

Available in either surface mounted or wall recessed models, the versatile Billi **KwikWash** is ideal for use in many situations including Medical, Food Preparation, Aged Care, Domestic Bathrooms, Childcare, Schools & Colleges, Commercial Washrooms, Portable Site Buildings, Retail Shops, Fast Food Outlets, Mobile Food Vending and many more.

Warranty

The Billi **KwikWash** mini hot water system comes with a 1 Year Warranty.

Certifications

Every Billi **KwikWash** is manufactured under a certified quality control system. The Billi **KwikWash** has been tested and complies with all required standards: C Tick Approved; Tested to AS/NZS ISO 9001:2000 Certificate Number QEC11627; Complies with AS1428 requirements for Access for the Disabled.

Specifications and guide to model selection

Billi KwikWash model	hot water delivery litres per hour @38°C	recovery time minutes	heating element kw	height mm	width mm	depth mm
KW20	40	under 4	20	340	315	130



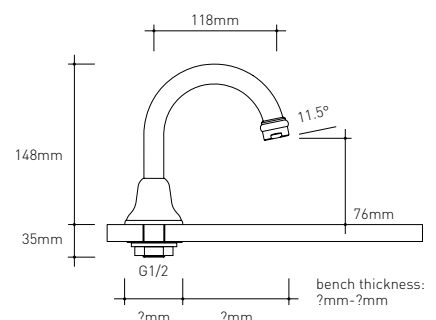
Billi Pty Ltd

42 Lucknow Crescent Thomastown
Victoria 3074 Australia
Telephone +61 3 9469 0400
Facsimile +61 3 9469 0499
Website www.billi.com.au

Designed and manufactured in Australia

As Billi Pty Ltd has a policy of continual improvement, all details are subject to change without notice. All goods are sold subject to our published terms and conditions.

Billi is a registered Trade Mark. KwikWash is a Trade Mark. 0709



Billi **KwikWash** Sensor Tap dimensions