

COMMERCIAL DATA SHEET

Alpine 060 Square Slimline



Billi Alpine 060 with Square Slimline Dispenser

Enjoy refreshing chilled and a continuous supply of filtered water. Billi's Alpine 060 offers a premium filtered drinking water experience.

Even after the chilled tank reserve has been depleted, the Alpine 060 is capable of dispensing a continuous stream of cool filtered water, supplied from the square slimline dispenser with single paddle lever operation.



CHILLED



Round Slimline Dispenser

Alpine Under-Bench Unit



Features

- SPACE SAVING DESIGN
- ENERGY EFFICIENT
- NO CUPBOARD VENTILATION REQUIRED
- UNLIMITED FILTERED WATER
- ADJUSTABLE CHILLED TEMPERATURE
- WATER COOLED TECHNOLOGY
- RANGE OF FINISHES
- EASY INSTALLATION
- AUSTRALIAN DESIGNED & MADE
- HACCP CERTIFIED

PRODUCT SPECIFICATIONS

Water type	Product code	Model name	Dispenser	Suggested no. of people	Chilled water delivery (cups per hour)	Power supply (amps)
CHILLED	932060S	Alpine 060	Square Slimline	Up to 12	60	10

Accessories

992130 - Square Slimline Spout Extension*

992810 - Slimline Font

990724 - Tubing Extension Kit for Slimline 2mtrs



*available in chrome, brushed and matte black only

Finishes

Standard Finishes

- CH - Chrome
- BR - Brushed
- MB - Matte Black
- MW - Matte White

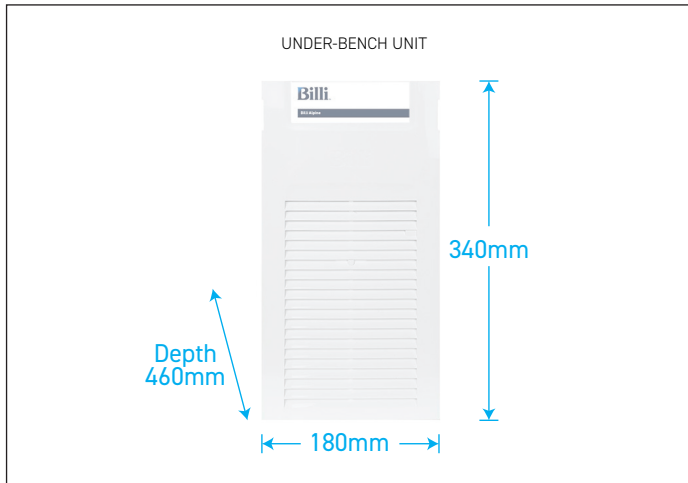
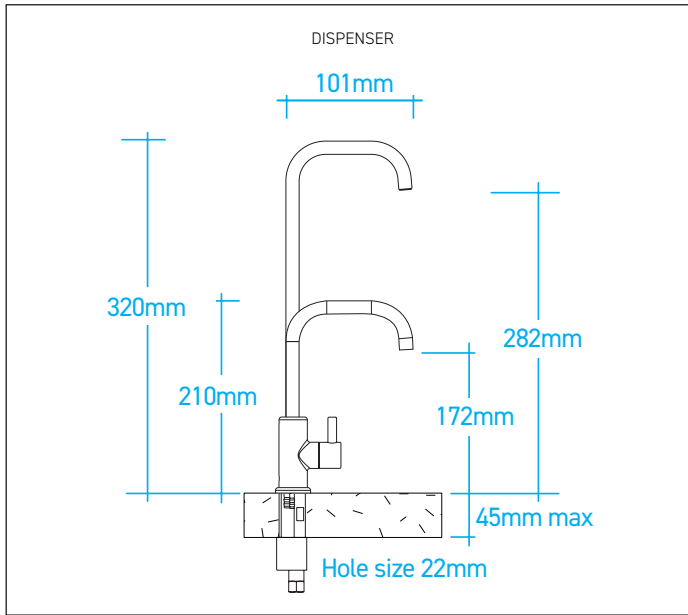
Special Order Finishes

- RG - Rose Gold
- BRG - Brushed Rose Gold
- GM - Gun Metal Grey
- PL - Platinum
- UB - Urban Brass

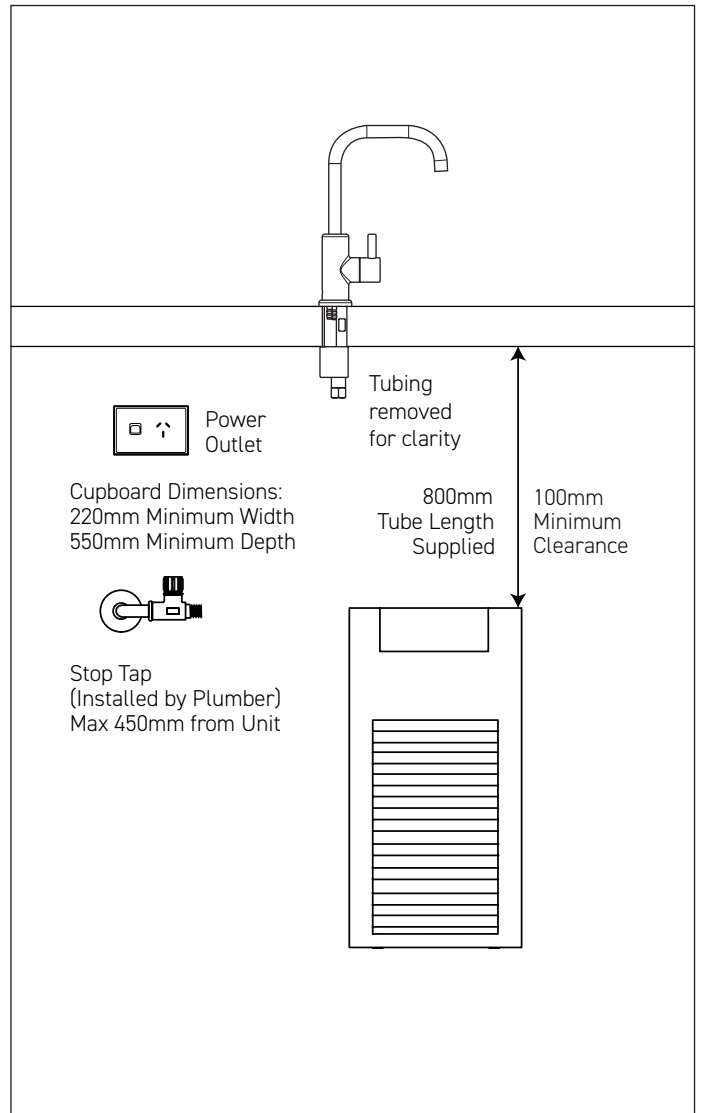
Add the Finish code to the Product Code to finalise your specification, eg. 932060SMB

TECHNICAL DRAWING & INSTALLATION REQUIREMENTS

PRODUCT DIMENSIONS



PREFERRED INSTALLATION LAYOUT



WATER SUPPLY

A single 1/2" BSP (15mm) stop-tap with a male thread should be installed in an easily accessible position. Water supply must be microbiologically safe to drink, with a minimum dynamic water pressure of 250kPa and a maximum of 1000kPa.

POWER SUPPLY

A standard 10 amp power outlet is required, no further than 1000mm from the underbench unit. The system is supplied with a 1 metre flex cord and plug.

FILTRATION

Billi's range of premium filters utilise BWT's unique Fibron X technology. Billi's filter range provides superior taste, water quality, consistent filter life and peace of mind when it comes to hygiene.

Filter supplied: 994051 (5 micron). Replacement filters available: 994052 (0.2 micron), 994054 (HSD), 994055 (XPHSD), 994056 (Sediment only) and 994060 (0.2 micron sediment only).

CERTIFICATIONS

Every Billi drinking water appliance is manufactured under a certified quality control system. All Billi commercial range models have been tested and comply with all required standards including: Watermark: WM-021882; HACCP: PE-872-WAT-1-02; ISO 9001:2015, QEC 11627; Tested to ATS5200.105 and AS/NZ 4020; Section J6.6 of the BCA; WELL Cornerstone Member; WELS 6 star rating registration T26065.

WARRANTY

The Billi Alpine Range is covered by a comprehensive 2 year warranty on all parts and labour.

Billi™

Billi Australia Pty Ltd
42 Lucknow Crescent,
Thomastown, Victoria
3074 Australia

P 1800 812 321
F +61 3 9469 0499
W www.billi.com.au

visit us at



Designed and manufactured in Australia to the highest quality standards