

# COMMERCIAL DATA SHEET

## Alpine 120 Square Slimline

# Billi™

### Billi Alpine 120 with Square Slimline Dispenser

Enjoy refreshing chilled and a continuous supply of filtered water. Billi's Alpine 120 offers a premium filtered drinking water experience.

Even after the chilled tank reserve has been depleted, the Alpine 120 is capable of dispensing a continuous stream of cool filtered water, supplied from the square slimline dispenser with single paddle lever operation.



CHILLED



Up to 25

Square Slimline Dispenser

Alpine Under-Bench Unit



### Features



SPACE SAVING DESIGN



ENERGY EFFICIENT



NO CUPBOARD VENTILATION REQUIRED



UNLIMITED FILTERED WATER



ADJUSTABLE CHILLED TEMPERATURE



WATER COOLED TECHNOLOGY



RANGE OF FINISHES



EASY INSTALLATION




AUSTRALIAN DESIGNED & MADE



HACCP CERTIFIED

## PRODUCT SPECIFICATIONS

| Water type   | Product code | Model name | Dispenser       | Suggested no. of people | Chilled water delivery (cups per hour) | Power supply (amps) |
|--|--------------|------------|-----------------|-------------------------|--|---------------------|
| <br>CHILLED | 932120S      | Alpine 120 | Square Slimline | Up to 25                | 120                                    | 10                  |

### Accessories

**992130** - Square Slimline Spout Extension\*

**992810** - Slimline Font

**990724** - Tubing Extension Kit for Slimline 2mtrs



\*available in chrome, brushed and matte black only

### Finishes

Standard Finishes

CH - Chrome

BR - Brushed

MB - Matte Black

MW - Matte White

Special Order Finishes

RG - Rose Gold

BRG - Brushed Rose Gold

PL - Platinum

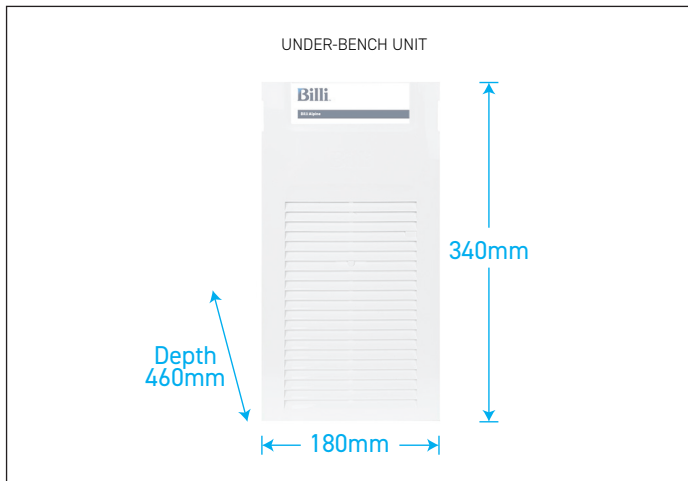
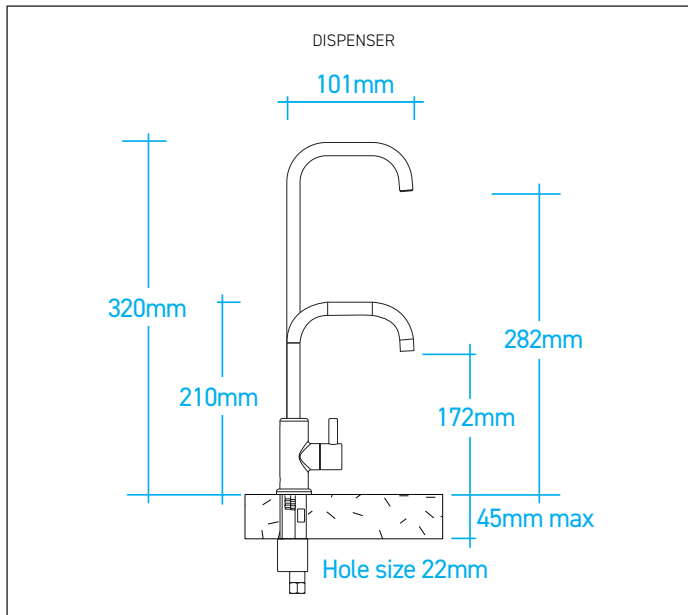
UB - Urban Brass

GM - Gun Metal Grey

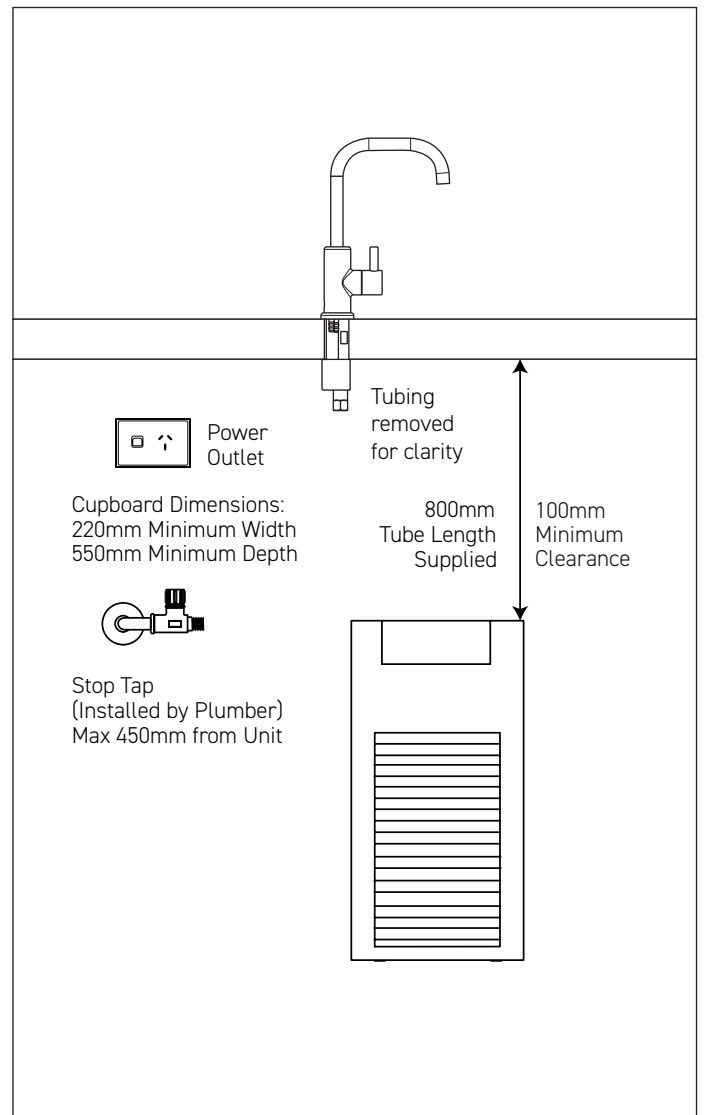
Add the Finish code to the Product Code to finalise your specification, eg. 932120SMB

# TECHNICAL DRAWING & INSTALLATION REQUIREMENTS

## PRODUCT DIMENSIONS



## PREFERRED INSTALLATION LAYOUT



### WATER SUPPLY

A single 1/2" BSP (15mm) stop-tap with a male thread should be installed in an easily accessible position. Water supply must be microbiologically safe to drink, with a minimum dynamic water pressure of 250kPa and a maximum of 1000kPa.

### POWER SUPPLY

A standard 10 amp power outlet is required, no further than 1000mm from the underbench unit. The system is supplied with a 1 metre flex cord and plug.

### FILTRATION

Billi's range of premium filters utilise BWT's unique Fibron X technology. Billi's filter range provides superior taste, water quality, consistent filter life and peace of mind when it comes to hygiene.

Filter supplied: 994051 (5 micron). Replacement filters available: 994052 (0.2 micron), 994054 (HSD), 994055 (XPHSD), 994056 (Sediment only) and 994060 (0.2 micron sediment only).

### CERTIFICATIONS

Every Billi drinking water appliance is manufactured under a certified quality control system. All Billi commercial range models have been tested and comply with all required standards including: Watermark: WM-021882; HACCP: PE-872-WAT-1-02; ISO 9001:2015, QEC 11627; Tested to ATS5200.105 and AS/NZ 4020; Section J6.6 of the BCA; WELL Cornerstone Member; WELS 6 star rating registration T26065.

### WARRANTY

The Billi Alpine Range is covered by a comprehensive 2 year warranty on all parts and labour.

# Billi™

Billi Australia Pty Ltd  
42 Lucknow Crescent,  
Thomastown, Victoria  
3074 Australia

P 1800 812 321  
F +61 3 9469 0499  
W www.billi.com.au

visit us at



Designed and manufactured in Australia to the highest quality standards