

COMMERCIAL DATA SHEET

Filter Tap Square Slimline

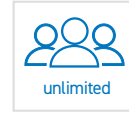


Billi Still Filter Tap with Square Slimline Dispenser

Instant filtered water on tap. The Still Filter Tap is an entry level solution allowing users the convenience of filtered still drinking water along with elegant functional design.



STILL FILTERED



unlimited

Square Slimline Dispenser

Underbench Filter Housing



Features



UNLIMITED FILTERED WATER



SPACE SAVING DESIGN



RANGE OF FINISHES





AUSTRALIAN DESIGNED & MADE



EASY INSTALLATION

PRODUCT SPECIFICATIONS

Water type	Product code	Model name	Dispenser	Suggested no. of people	Still water delivery (cups per hour)
  STILL FILTERED	932210S	Filter Tap	Square Slimline	unlimited	unlimited

Accessories

992130 - Square Slimline Spout Extension*

992810 - Slimline Font

990724 - Tubing Extension Kit for Slimline 2mtrs



*available in chrome, brushed and matte black only

Finishes

Standard Finishes

CH - Chrome	BR - Brushed
MB - Matte Black	MW - Matte White

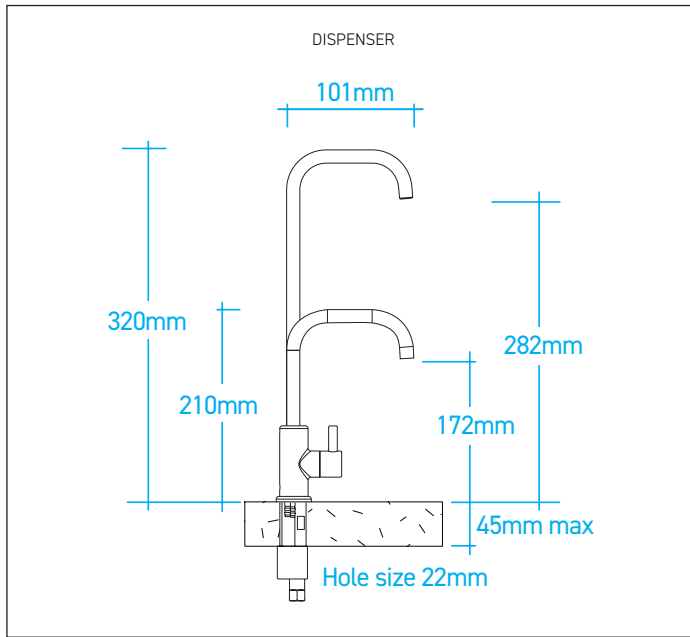
Special Order Finishes

RG - Rose Gold	BRG - Brushed Rose Gold	GM - Gun Metal Grey
PL - Platinum	UB - Urban Brass	

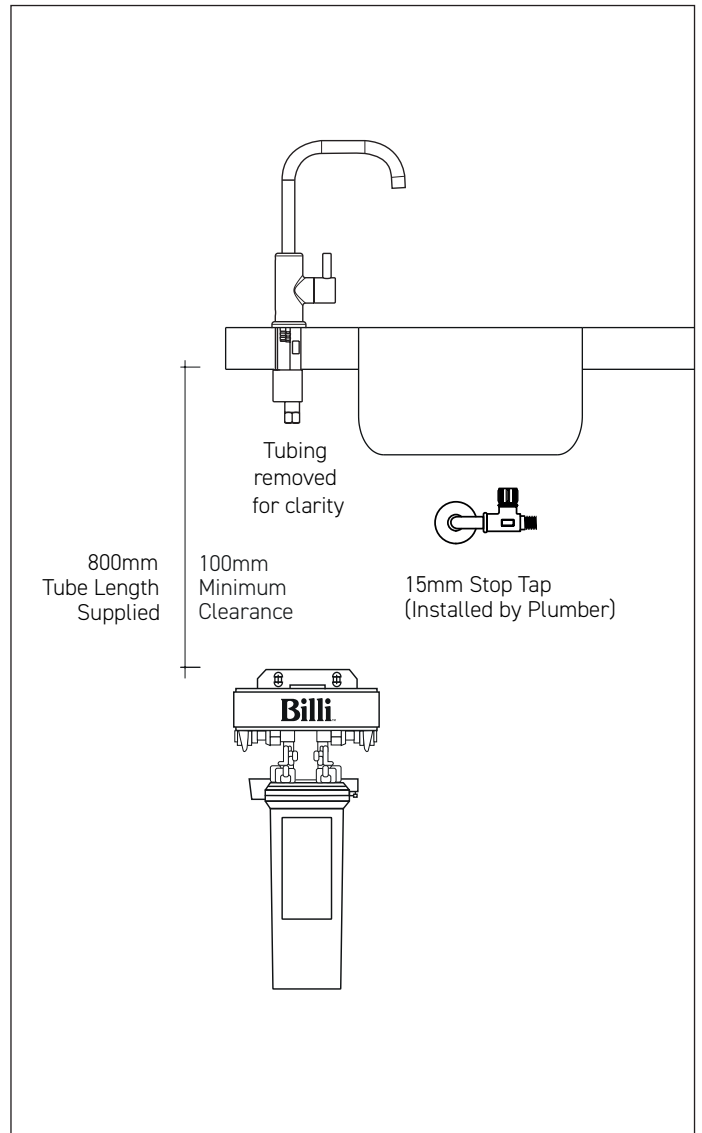
Add the Finish code to the Product Code to finalise your specification, eg. 9322000SMB

TECHNICAL DRAWING & INSTALLATION REQUIREMENTS

PRODUCT DIMENSIONS



PREFERRED INSTALLATION LAYOUT



WATER SUPPLY

A single 1/2" BSP (15mm) stop-tap with a male thread should be installed in an easily accessible position. Water supply must be microbiologically safe to drink, with a minimum dynamic water pressure of 250kPa and a maximum of 1000kPa.

FILTRATION

Billi's range of premium filters utilise BWT's unique Fibron X technology. Billi's filter range provides superior taste, water quality, consistent filter life and peace of mind when it comes to hygiene.

Filter supplied: 994051 (5 micron). Replacement filters available: 994052 (0.2 micron), 994054 (HSD), 994055 (XPHSD), 994056 (Sediment only) and 994060 (0.2 micron sediment only).

CERTIFICATIONS

Every Billi drinking water appliance is manufactured under a certified quality control system. All Billi commercial range models have been tested and comply with all required standards including: Watermark: WM-021882; Certified to AS/NZ3498 and AS/NZ 4020; ISO9001:2015, QEC 11627; WELLS Cornerstone Member; WELLS 6 star rating registration T26065.

WARRANTY

The Billi Filter Tap Range is covered by a comprehensive 2 year warranty on all parts and labour.

Billi™

Billi Australia Pty Ltd
42 Lucknow Crescent,
Thomastown, Victoria
3074 Australia

P 1800 812 321
F +61 3 9469 0499
W www.billi.com.au

visit us at



Designed and manufactured in Australia to the highest quality standards