

COMMERCIAL DATA SHEET

Sahara 360 XL



Billi Sahara 360 with XL Levered Dispenser

The Sahara 360 Boiling and Still drinking water system is a mid-range to large commercial capacity system, but still maintains Billi's core design principles of space saving while requiring no joinery ventilation.

Offering both boiling water and a bottomless supply of filtered ambient temperature water, the Sahara range is convenient and functional.

The XL levered dispenser is streamlined and elegant, DDA compliant, with boiling water delivered safely and at your own pace simply by operating the position-sensitive levers.



BOILING **STILL**



XL Levered Dispenser

Sahara Under-Bench Unit



Features

- SPACE SAVING DESIGN
- SAFE TO OPERATE
- SPLASHFREE DELIVERY
- ENERGY EFFICIENT
- NO CUPBOARD VENTILATION REQUIRED
- ECO-INTELLIGENCE TECHNOLOGY
- AUSTRALIAN DESIGNED & MADE
- HACCP INTERNATIONAL CERTIFICATION
- EASY INSTALLATION

PRODUCT SPECIFICATIONS

Water type	Product code	Model name	Dispenser	Suggested no. of people	Boiling water delivery (cups per hour)*	Still water delivery (cups per hour)	Power supply (amps)
 BOILING STILL	943060L	Sahara 360	XL Levered	Up to 60	180	unlimited	10

* Based on the initial number of cups of boiling water immediately available, drawn one cup every 10 seconds. For all underbench filtered water systems, consideration may be needed for usage patterns and draw-off methods. 1 cup = 170ml

Accessories

992800 - 70mm Riser & Font



992820 - 70mm Riser



992803 - 120mm Riser & Font



992830 - 120mm Riser



990720 - Tubing Extension Kit for X series dual temp dispensers 2mtrs

Finishes

Standard Finishes

CH - Chrome	BR - Brushed
MB - Matte Black	MW - Matte White

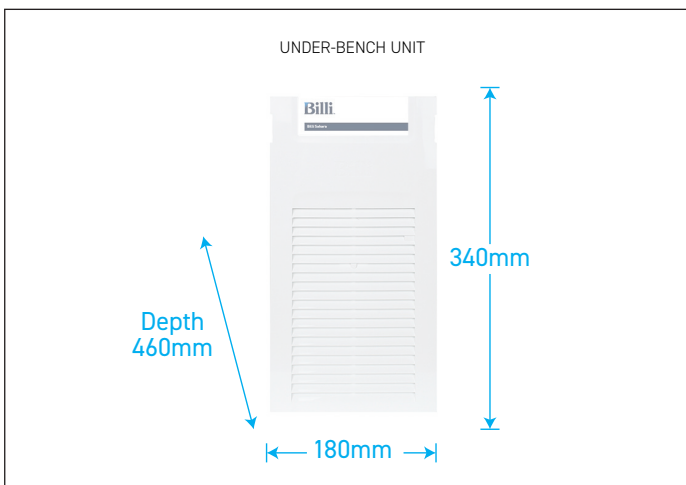
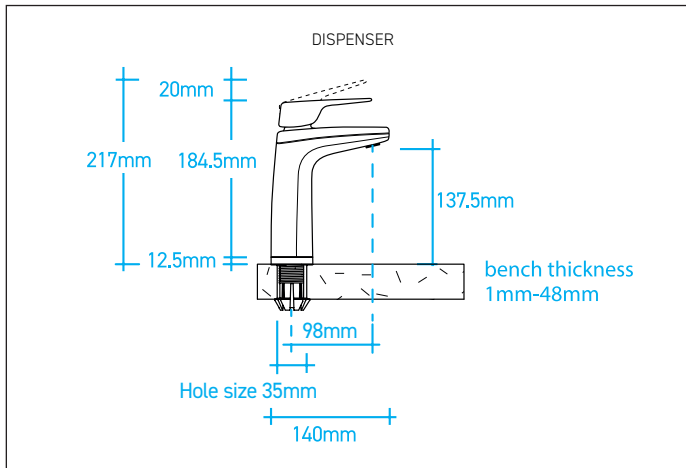
Special Order Finishes

RG - Rose Gold	BRG - Brushed Rose Gold	GM - Gun Metal Grey
PL - Platinum	UB - Urban Brass	

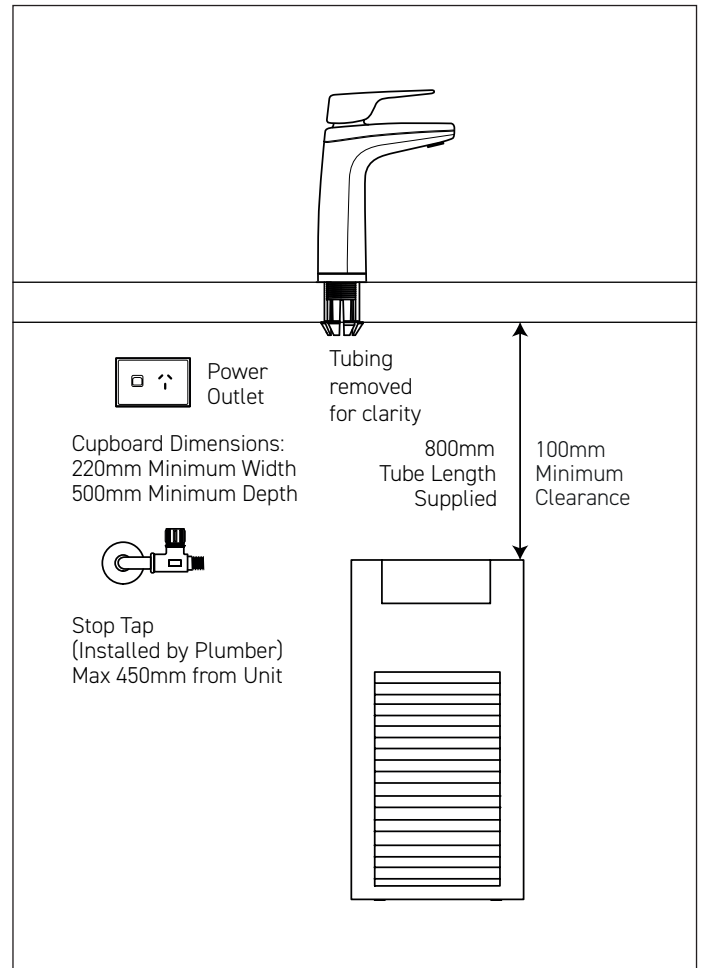
Add the Finish code to the Product Code to finalise your specification, eg. 943060LMB

TECHNICAL DRAWING & INSTALLATION REQUIREMENTS

PRODUCT DIMENSIONS



PREFERRED INSTALLATION LAYOUT



WATER SUPPLY

A single 1/2" BSP (15mm) stop-tap with a male thread should be installed in an easily accessible position. Water supply must be microbiologically safe to drink, with a minimum dynamic water pressure of 250kPa and a maximum of 1000kPa.

POWER SUPPLY

A standard 10 amp power outlet is required, no further than 1000mm from the underbench unit. The system is supplied with a 1 metre flex cord and plug.

FILTRATION

Billi's range of premium filters utilise BWT's unique Fibron X technology. Billi's filter range provides superior taste, water quality, consistent filter life and peace of mind when it comes to hygiene.

Filter supplied: 994051 (5 micron). Replacement filters available: 994052 (0.2 micron), 994054 (HSD), 994055 (XPHSD), 994056 (Sediment only) and 994060 (0.2 micron sediment only).

CERTIFICATIONS

Every Billi drinking water appliance is manufactured under a certified quality control system. All Billi commercial range models have been tested and comply with all required standards including: WaterMark: WM-021525; Certified to AS/NZ3498 and AS/NZ 4020; ISO9001:2015, QEC 11627; Section J6.6 of the BCA; HACCP: PE-872-WAT-1-02; AS1428 DDA Compliant; WELL Cornerstone Member.

WARRANTY

The Billi Sahara Range is covered by a comprehensive 2 year warranty on all parts and labour.

Billi™

Billi Australia Pty Ltd
42 Lucknow Crescent,
Thomastown, Victoria
3074 Australia

P 1800 812 321
F +61 3 9469 0499
W www.billi.com.au

visit us at



Designed and manufactured in Australia to the highest quality standards