



---

Installation guide  
XI Slimline Font – Proud & Flush Mount



# Installation requirements.

## Proud & Flush Mount

### Components included

Before commencing installation, ensure you have identified the following pieces:

1. Font tray
2. Font cover plate set 1 set (3 piece)
3. Sealing Gaskets x 3
4. Drain adapter
5. O-ring
6. M5 x 40mm screw
7. Elbow 3/4"
8. Bush
9. Hose adaptor
10. M6 x 45mm hex bolt x 4
11. M6 Flange nuts x 4
12. Font washer
13. Font mounting bracket x 4

### Determine unit location

Plan the installation. Dispenser tube lengths, benchtop and cupboard restraints and drainage requirements must be considered when determining location. Use template enclosed for drilling and cut-out details. Refer also to appliance installation requirements supplied with Drinking Water System.

### Drainage location

Careful design and installation is essential to provide satisfactory drainage performance and to prevent later blockages. The Billi Font is designed to be able to be connected to a dishwasher nipple using either flexile or rigid tubing or copper tubing. Where a horizontal run is needed, we recommend 20mm or 25mm copper tubing be used. An adapter bush is supplied for use where a standard 40mm trap and drain is installed.

### IMPORTANT

If drain is to be connected to a dishwasher nipple, ensure hole through nipple is drilled to at least  $\varnothing 12.7\text{mm}$  (1/2") and de-burred, to allow adequate flow.

Drain must be installed with a continual fall along the entire length of the tube.

The Billi Fixture is to be installed by a licensed tradesperson in accordance with AS 3500.4 Or AS/NZ 3500.4.2 And in compliance with applicable state regulatory requirements.

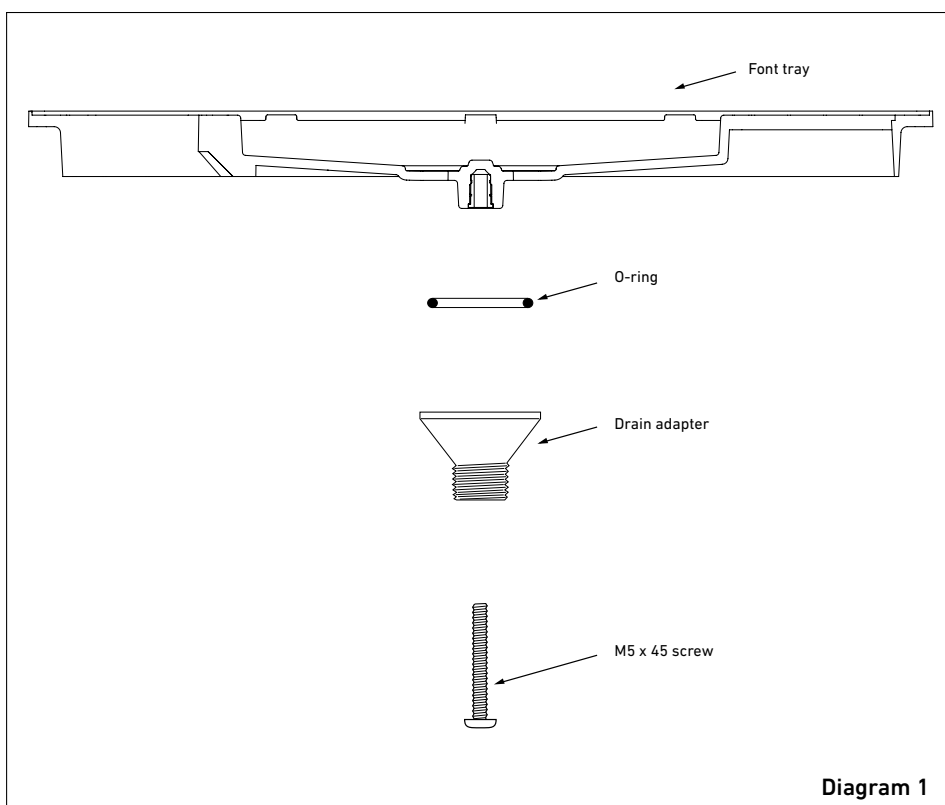


Diagram 1

# Installation procedure.

## Proud Mount

### 1. Marking and Drilling Holes

- a. Cut out hole in benchtop using measurement shown in Diagram 7a on the following page.

### 2. Fitting Drain Adapter

- a. Fit O-ring to Drain adapter.
- b. Fit Drain adapter to tray. Tighten M5 screw, Note: Do NOT over-tighten the screw.
- c. Drain tube and elbow fitting are to face dispenser mount hole – refer to diagram 1 on previous page.

### 3. Fitting Billi Font to Benchtop

- a. Install the sealing gasket around the edge of the font tray. Refer to Diagram 2.
- b. Lower the Font tray into the cut out and insert 4 x M6 bolts, one in each corner.
- c. Fit the clips and M6 Flange nuts to all 4 bolts – refer to Diagram 3.
- e. Tighten nuts until rim sits flat on benchtop. Do NOT over-tighten nuts.

### 4. Fit front and rear cover plates

- a. Remove protective film from cover plate set.
- b. Remove bottom gasket covers and insert into gasket grooves.
- c. Remove gasket cover and insert cover into font tray.
- d. Ensure holes in rear cover plate align with the holes in the font tray.
- e. Apply pressure around edge of plate(s) to ensure proper gasket seal.

### 5. Install the tap – refer to diagram 4.

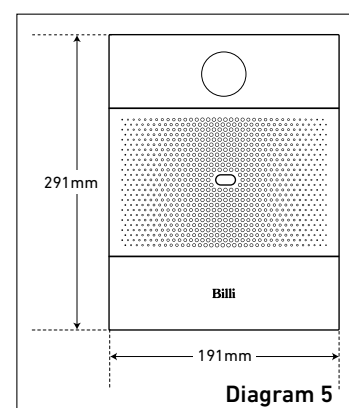
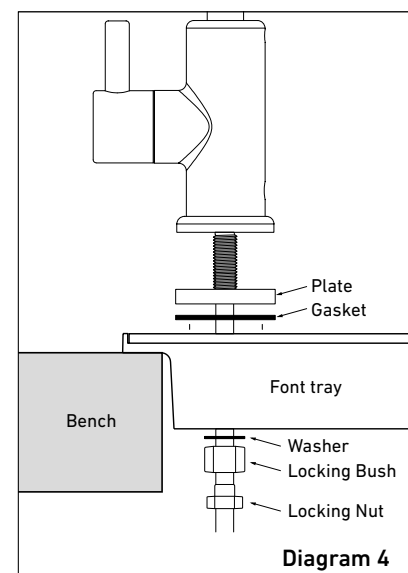
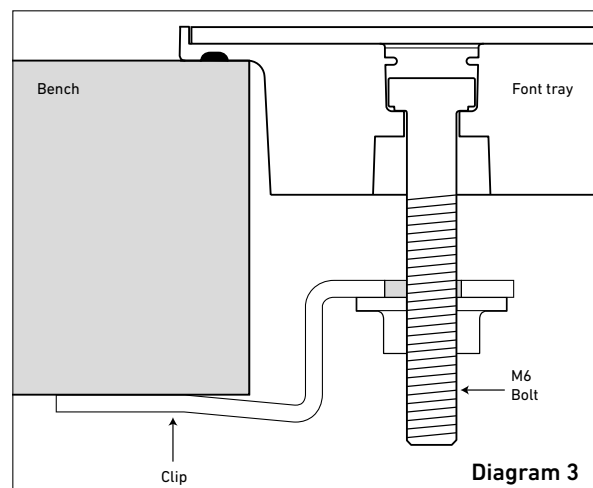
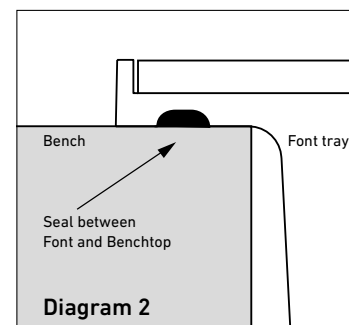
- a. Feed the dispenser tube and tap base into hole in the rear of the font.
- b. Feed lock mechanism components onto the end of the dispenser tube in the following order:
  - i. Washer
  - ii. Locking bush
  - iii. Locking nut.
- c. Slide components into position and tighten the locking nut. Note: Do NOT over tighten.

### 6. Connect Tubing to Underbench Module

- a. Connect dispenser tubing to underbench module as per installation instructions supplied with your unit.

### 7. Connect Drainage

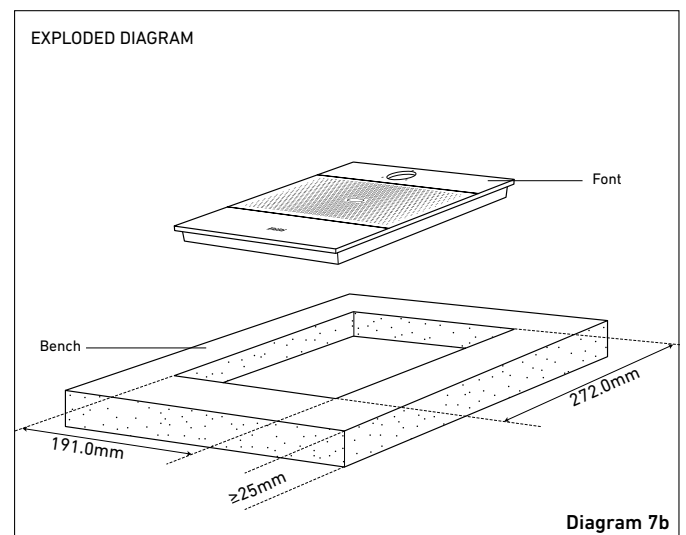
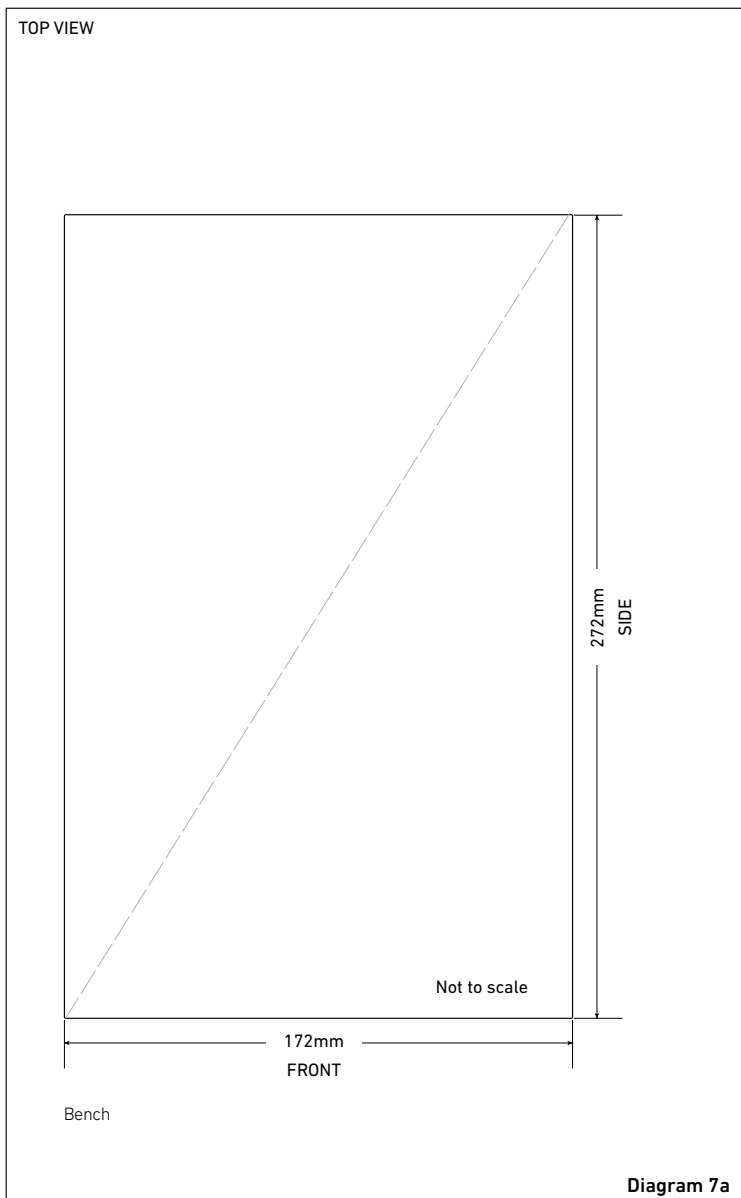
- a. Connect drainage tubing with reference to Drainage Requirement instructions on previous page. Drainage tube must be installed with a continual fall along the entire length of the tube and must be adequately clipped and supported.



# Installation procedure. Proud Mount

Hole Cut-Out Dimensions  
– See Template for actual size,

Before using check dimensions  
are accurate.



# Installation procedure.

## Flush Mount

### 1. Marking and Drilling Holes

- Cut out hole in bench top according to Diagram 7a on page 6. Use appropriate router bits to give R5.0 edges.

### 2. Apply thick coat of moisture primer to all cut surfaces

### 3. Fitting Drain Adapter

- Fit O-ring to Drain adapter.
- Fit Drain adapter to tray. Insert and tighten M5 screw, Note: Do NOT over-tighten the screw.
- Drain tube and elbow fitting are to face dispenser mount hole –refer to diagram 1 on page 2.

### 4. Fitting Billi Font to Benchtop

- Install the sealing gasket around the edge of the font tray. Refer to Diagram 2.
- Lower the Font tray into the cut out and insert 4 x M6 bolts, one in each corner.
- Fit the clips and M6 Flange nuts to all 4 bolts – refer to Diagram 3.
- Tighten nuts until rim sits flat on benchtop. Do NOT over-tighten nuts.

### 5. Fit front and rear cover plates

- Remove protective film from cover plate set.
- Remove bottom gasket covers and insert into gasket grooves.
- Remove gasket cover and insert cover into font tray.
- Ensure holes in rear cover plate align with the holes in the font tray.
- Apply pressure around edge of plate(s) to ensure proper gasket seal.

### 6. Install the tap – refer to diagram 4.

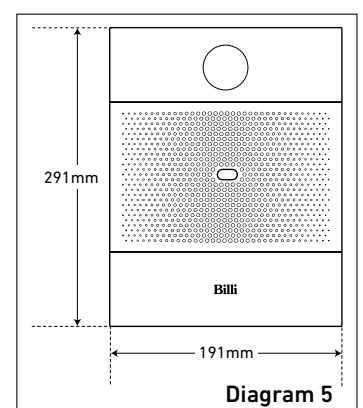
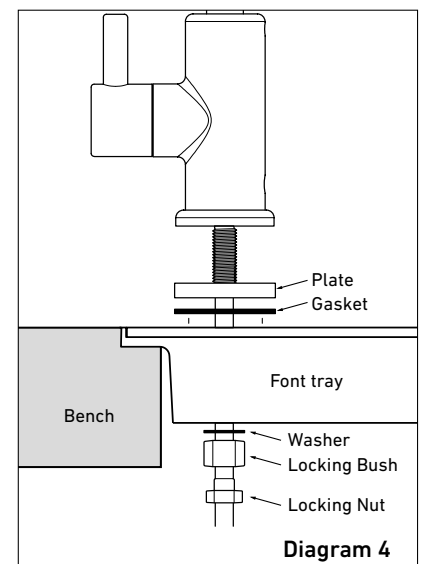
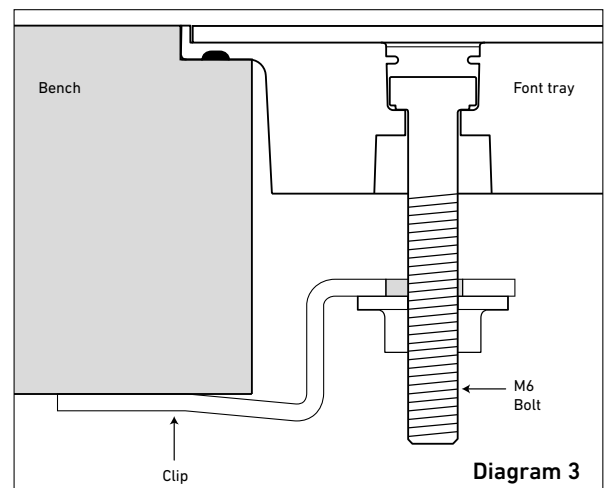
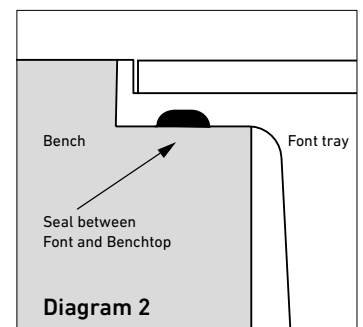
- Feed the dispenser tube and tap base into hole in the rear of the font.
- Feed lock mechanism components onto the end of the dispenser tube in the following order:
  - Washer
  - Locking bush
  - Locking nut.
- Slide components into position and tighten the locking nut. Note: Do NOT over tighten.

### 7. Connect Tubing to Underbench Module

- Connect dispenser tubing to underbench module as per installation instructions supplied with your unit.

### 8. Connect Drainage

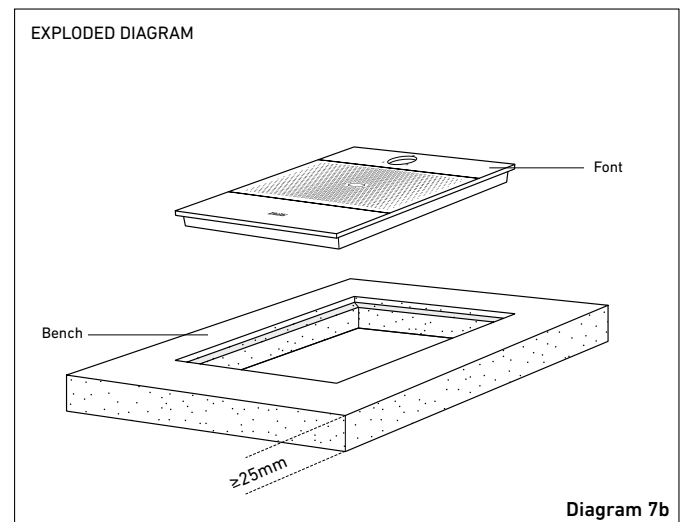
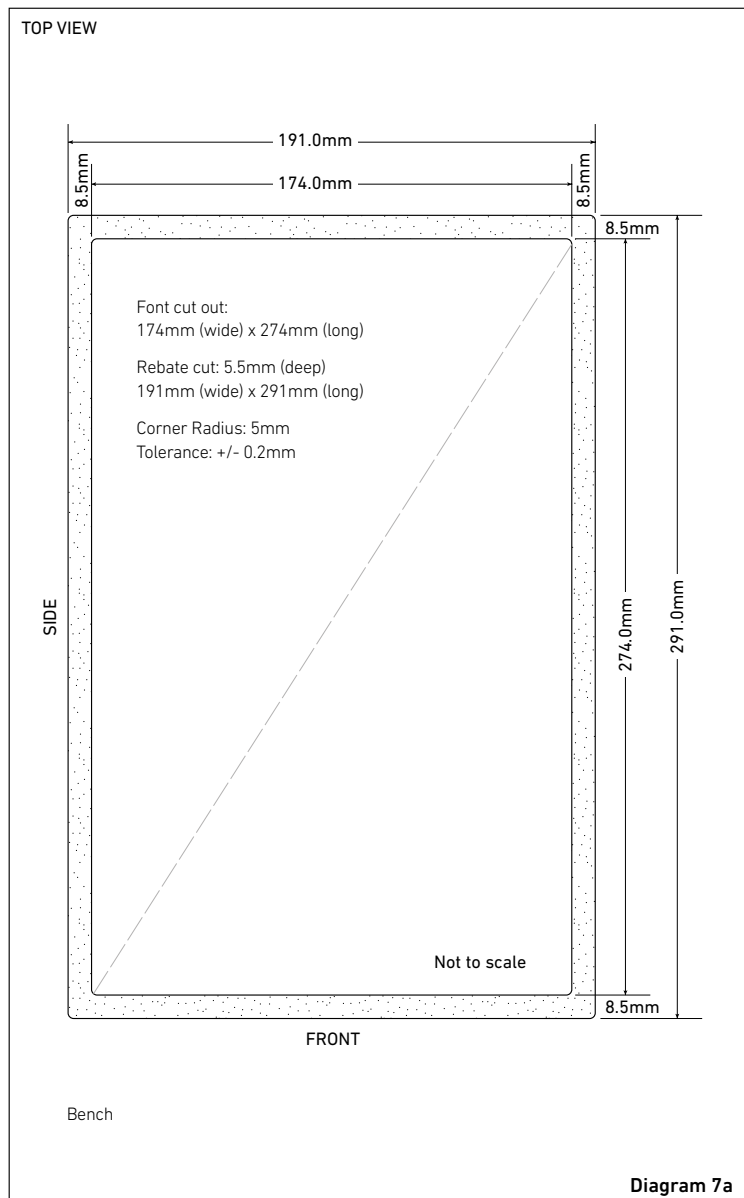
- Connect drainage tubing with reference to Drainage Requirement instructions on previous page. Drainage tube must be installed with a continual fall along the entire length of the tube and must be adequately clipped and supported.



# Installation procedure. Flush Mount

Hole Cut-Out Dimensions  
– See Template for actual size,

Before using check dimensions  
are accurate.







If any problems or difficulties arise contact **Billi Australia Pty Ltd**: Phone 1800 812 321 (Free call).  
To validate your warranty refer to the warranty card or validate online at [www.billi.com.au](http://www.billi.com.au)  
For information on our filtration and service contracts please contact Billi Customer Service on  
1800 812 321 or [service@billi.com.au](mailto:service@billi.com.au).

---

**Billi Australia Pty Ltd**  
42 Lucknow Crescent, Thomastown  
Victoria 3074 Australia  
Telephone +61 3 9469 0400  
Facsimile +61 3 9469 0499  
[www.billi.com.au](http://www.billi.com.au)

Designed and manufactured in Australia.  
As Billi Australia Pty Ltd has a policy of  
continual improvement, all details are  
subject to change without notice. All  
goods are sold subject to our published  
terms and conditions. Billi is a registered  
trademark. 0618