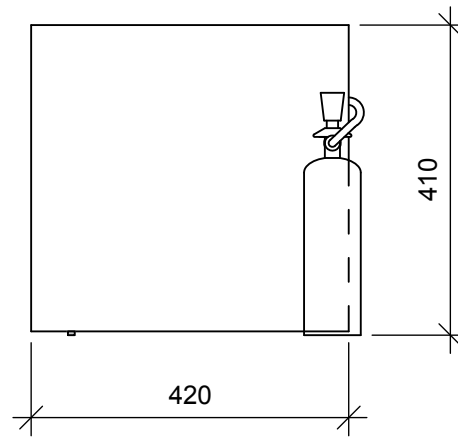
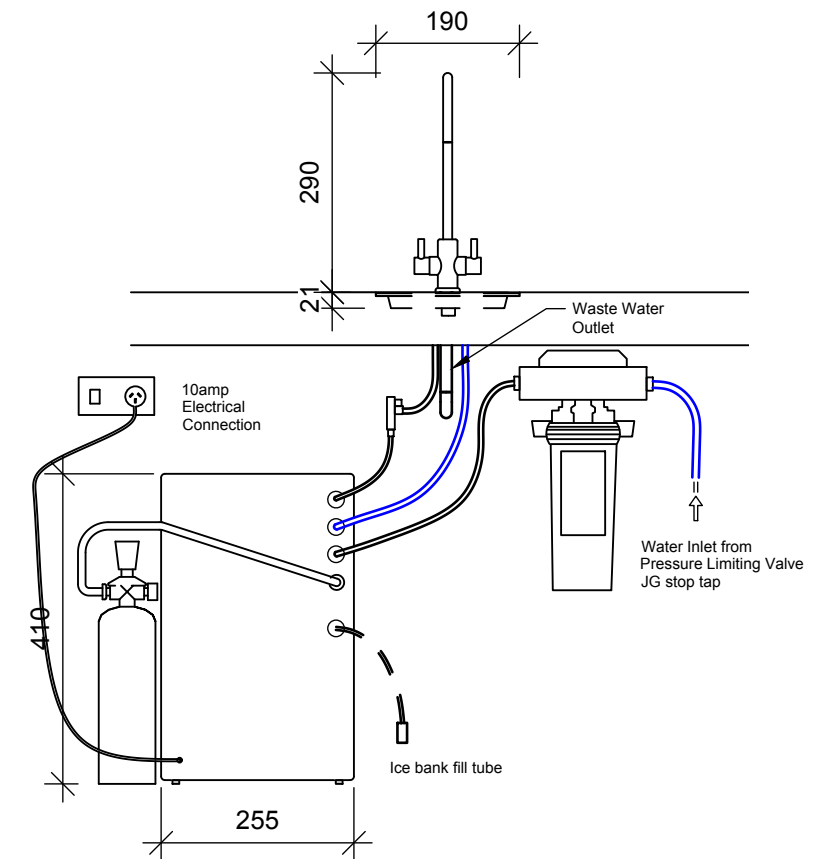


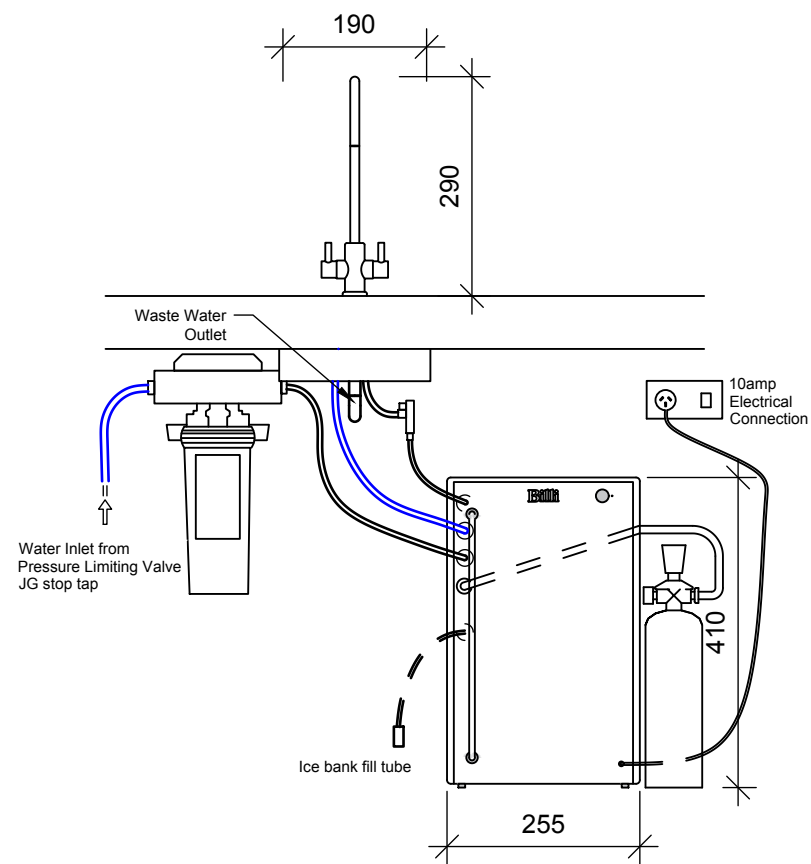
FRONT VIEW



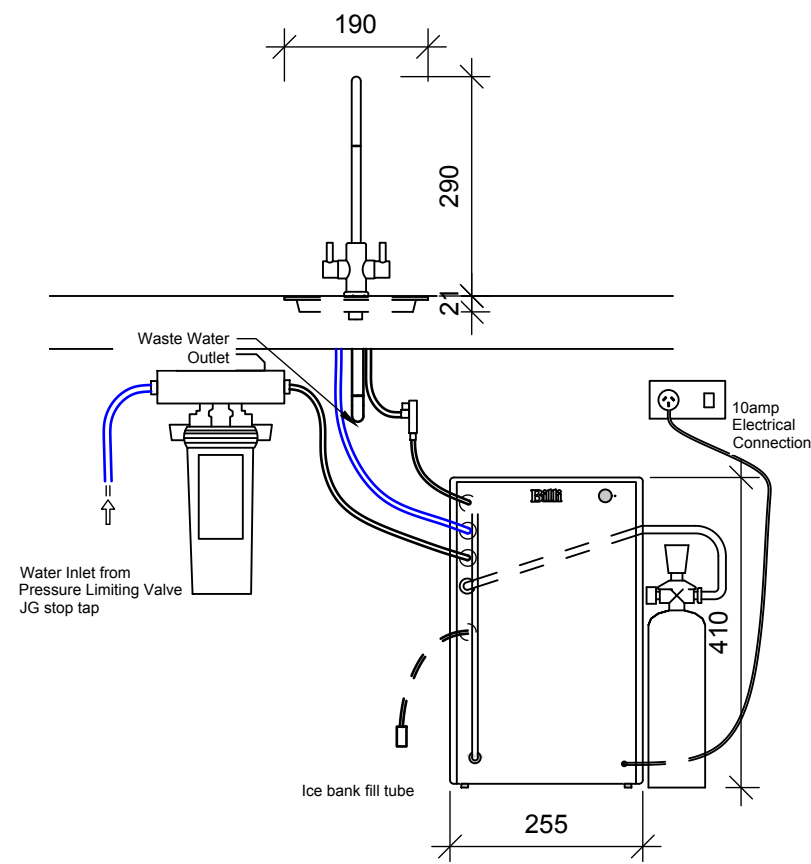
SIDE VIEW




REAR VIEW



Billi Alpine on sink



Billi Alpine on Front

REV.	BY	DATE	DESCRIPTION OF CHANGE	TITLE	DRAWN	DATE				
1		08-09-14	INITIAL ISSUE	CHILLED WATER SYSTEM-BILLI ALPINE SPARKLING	A2K	08-09-14	SCALE	SIZE	DRAWING No.	REV.
2	A2K	05-2017	Updates to connections and dimensions		PROJECT	1 : 10	A3	CW-S-001	2	
REVISION				ALPINE						