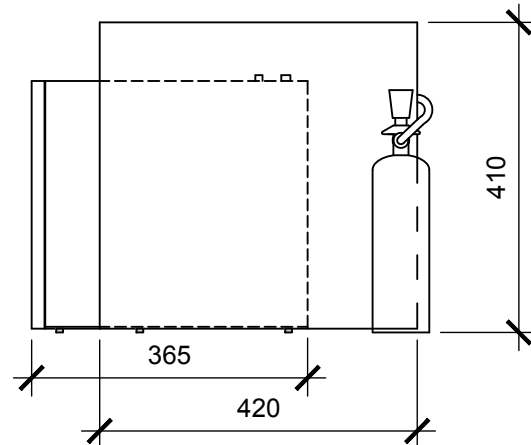
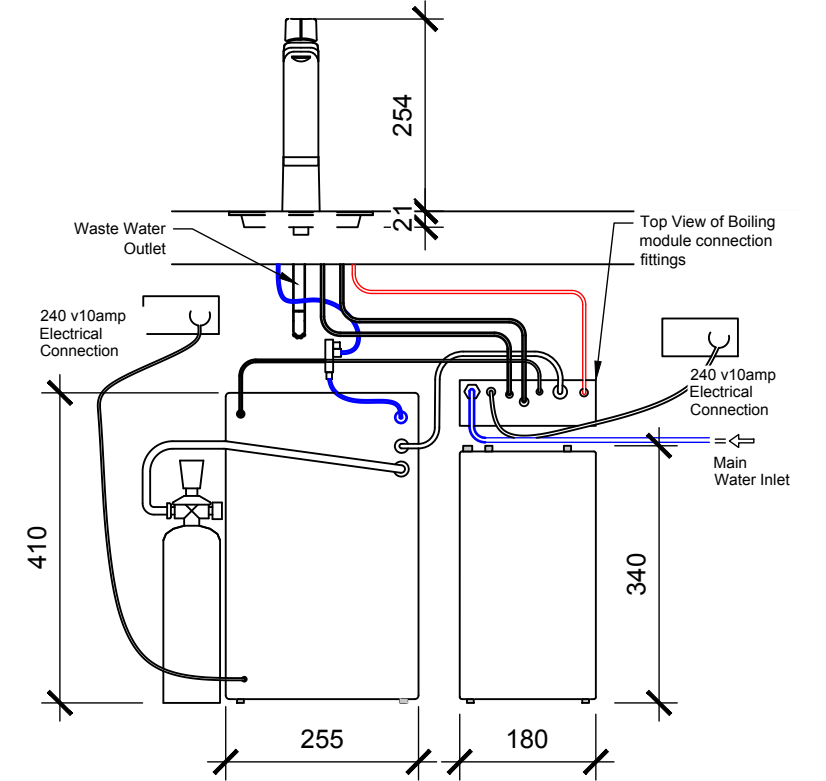


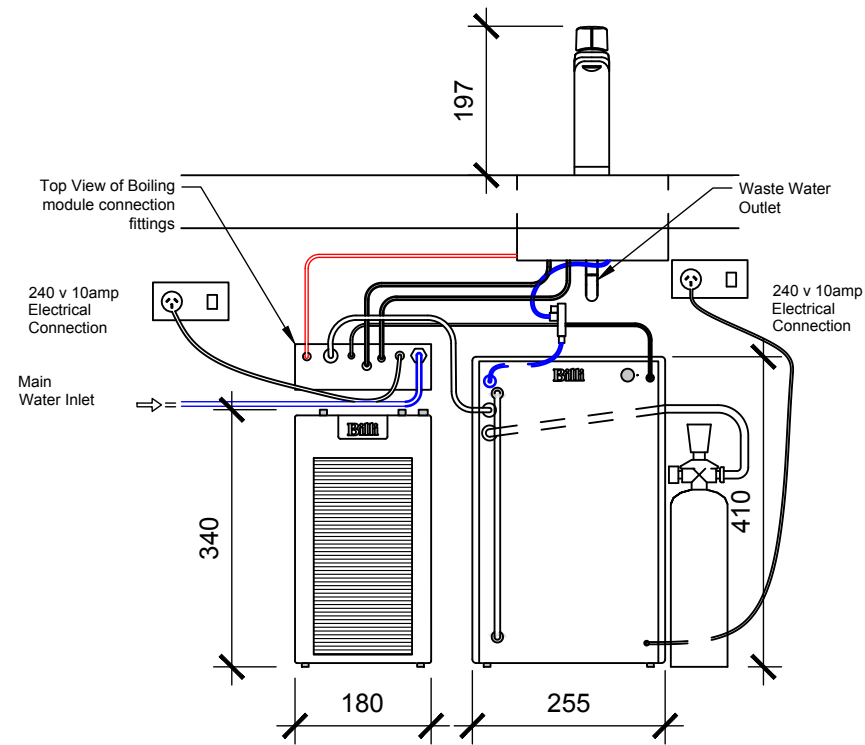
FRONT VIEW



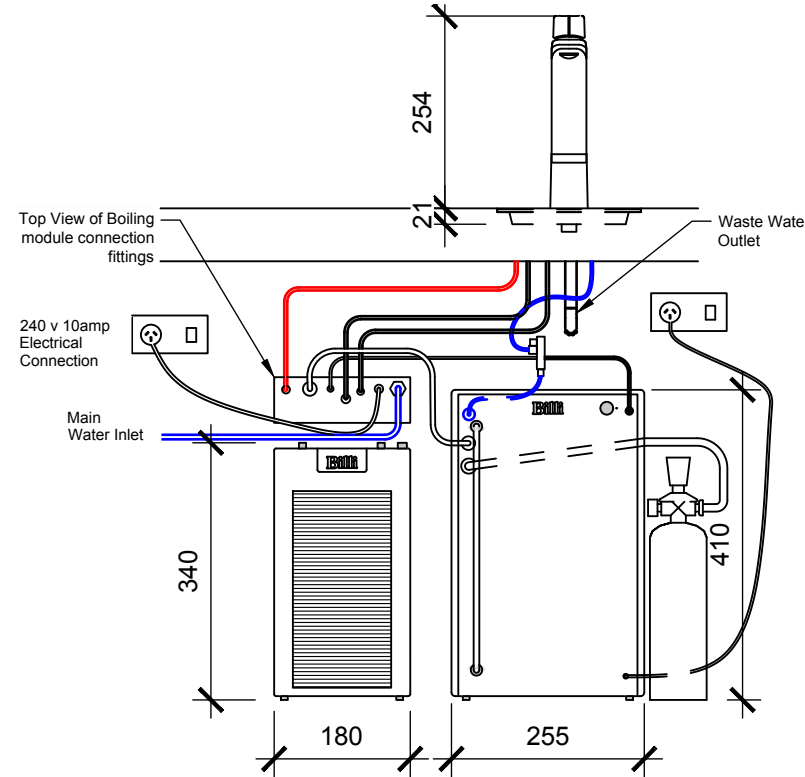
SIDE VIEW



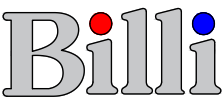
REAR VIEW



Billi Eco Sparkling on sink



Billi Eco Sparkling on Font

REV.	BY	DATE	DESCRIPTION OF CHANGE	TITLE	DRAWN	DATE				
1		20-09-14	INITIAL ISSUE	BOILING WATER SYSTEM-BILLI ECO SPARKLING	A2K	10-10-14	SCALE	SIZE	DRAWING No.	REV.
2	A2K	05-2017	Updates to connections and dimensions	PROJECT			1 : 10	A3	BW-S-002	2
REVISION				ECO Sparkling						