

SPECIFICATION DATA SHEET - SENSOR TAPS

Billi™

Billi's contactless sensor tap range features a unique electronic sensor built into the spout. This sensor automatically detects hand movement in the hand washing zone and shuts off as soon as you move your hands away, reducing water wastage. The sensor tap range is ideal for use in food preparation, healthcare, aged care, residential bathrooms, childcare, schools and universities, and commercial washrooms. The sensor tap is available in 3 modern designs.



Bench Mount



Wall Mount



Straight Wall Mount

FEATURES

- ✓ Touch free sensor tap
- ✓ Contactless dispensing to maintain high hygiene standards
- ✓ Bench mount, wall mount or straight wall mount designs
- ✓ Chrome, Matte Black, Brushed & Urban Brass finishes in bench and wall mount designs
- ✓ Chrome & Matte Black finishes in straight wall mount design
- ✓ Easy to install, with options of mains or battery power supply
- ✓ Reduces water wastage
- ✓ User friendly and ergonomically designed

FINISH OPTIONS

CH

Chrome

BR

Brushed

MB

Matte Black

BB

Brushed Brass (Special orders only)

SENSOR TAP PRODUCT SPECIFICATIONS

Product code	Model name	WELS Rating*	Flow Rate
961000	Sensor Tap - Bench Mount	6 Stars	4 l/min
961100	Sensor Tap - Wall Mount	6 Stars	4 l/min
961300	Sensor Tap - Straight Wall Mount	6 Stars	3.9 l/min

* The above product have been registered according to the requirements of the WELS standard (AS/NZS 6400:2016 Water efficient products - rating & labelling).

TECHNICAL DRAWING & INSTALLATION REQUIREMENTS

WATER SUPPLY

The Billi Sensor tap has been tested and can operate from min 50kPa to max 700kPa. The recommended working pressure is 100kPa to 700kPa. It is fitted with a ½" BSP (15mm) inlet nipple. Min. flow rate: 4 litres per minute.

POWER SUPPLY

The Billi Sensor tap can be supplied with either battery or mains power.

Battery: 6V DC / 4 x 1.5 AA Batteries (not supplied)

Mains: 240V 10 Amp GPO

The control box must be fitted no more than 1100mm from the tap. Transformer power supply lead is 1300mm long. All Billi Sensor taps are supplied with wall plugs and screws.

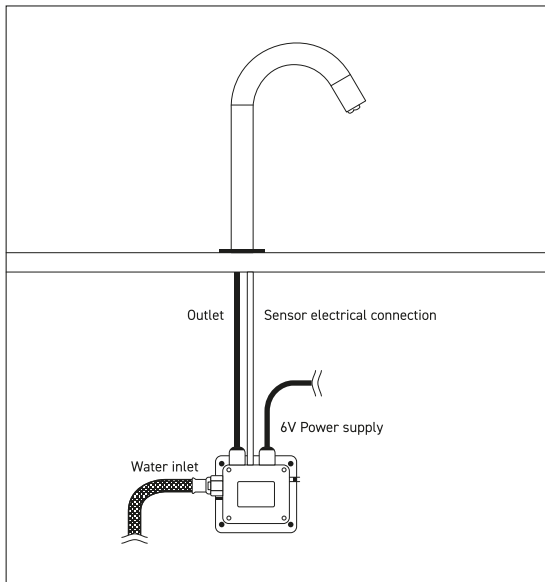
CERTIFICATIONS

The Billi Sensor tap is manufactured under a certified quality control system. Billi Sensor taps have been tested and comply to Watermark License number 21914; complies with AS1428 requirements for Access for the Disabled; Billi ISO 9001 certified. Certificate number QEC11627.

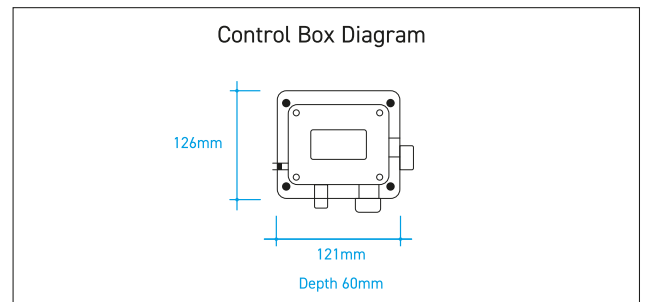
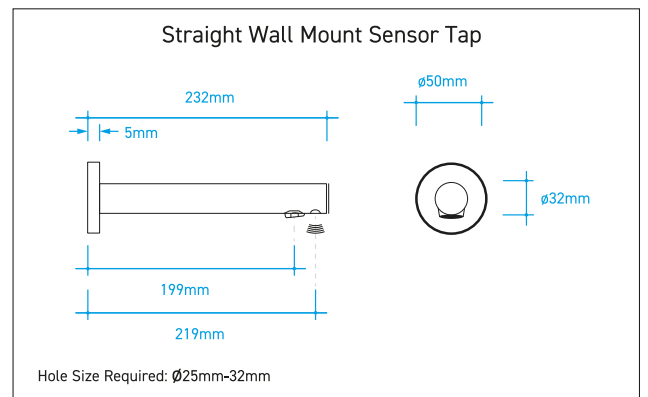
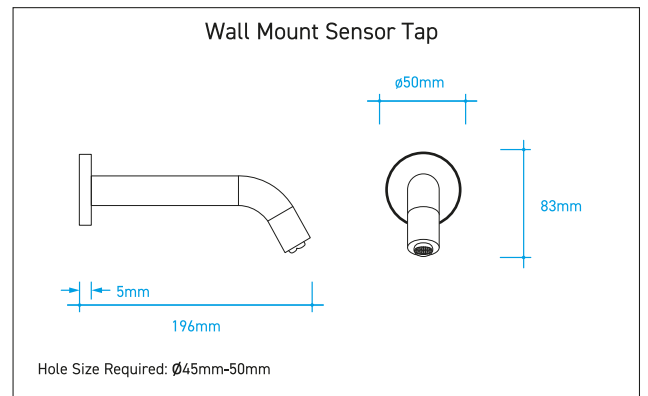
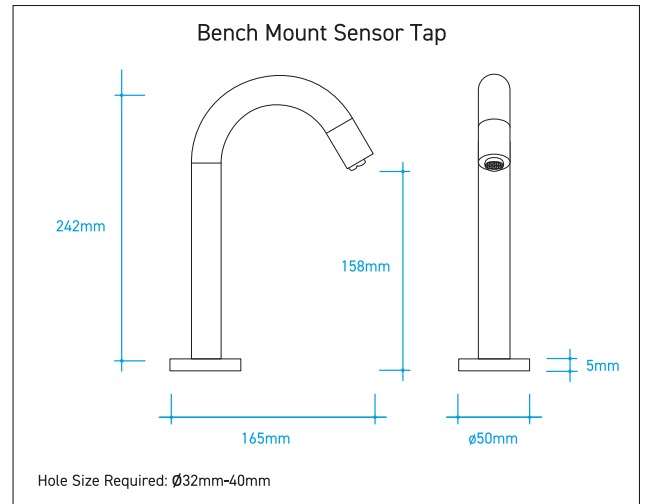
WARRANTY

All components of the Sensor tap range are covered by a comprehensive 12 month warranty on all parts and labour.

PREFERRED INSTALLATION LAYOUT



SENSOR TAP DIMENSIONS



Billi™



Billi Australia Pty Ltd
42 Lucknow Crescent,
Thomastown, Victoria
3074 Australia

P 1800 812 321
F +61 3 9469 0499
W www.billi.com.au

visit us at

