

# COMMERCIAL DATA SHEET

## Quadra Sparkling Plus 15 XL & Paddle



### Billi Quadra Sparkling Plus 15 with XL Levered Dispenser & Paddle Mixer

The Quadra Sparkling Plus is the ultimate in modern design and filtered drinking water appliances delivering instant boiling and chilled filtered water, with the added luxury of sparkling water PLUS a separate sink mixer.

Requiring only cold feed mains supply, the Quadra Sparkling Plus mixes it's own hot water without the need for any additional under-bench space requirements or boosters and utilises underbench ice bank technology to enhance capacity and recovery.

All three drinking water options are conveniently delivered by operating the DDA compliant position sensitive levers on the single above bench XL levered dispenser, with hot and cold water for the sink supplied via separate paddle lever mixer tap ensuring safety & convenience.



BOILING



CHILLED



SPARKLING



PLUS



Up to 100

XL Levered Dispenser

Paddle Lever Mixer

Quadra Sparkling Under-Bench Unit



PLUS



## Features



SAFE TO OPERATE



ENERGY EFFICIENT



ADJUSTABLE CHILLED TEMPERATURE



ADJUSTABLE SPARKLING LEVEL



ICE BANK TECHNOLOGY



ECO-INTELLIGENCE TECHNOLOGY



RANGE OF FINISHES



HACCP CERTIFIED



ITALO-AUSTRALIAN PARTNERSHIP

# Australian Made Boiling Unit \* Italian Design & Made Sparkling Unit

## PRODUCT SPECIFICATIONS

Water type	Product code	Model name	Dispenser	Suggested no. of people	50° hot water capacity litres (initial drawdown)	50° hot water delivery litres per hour	Boiling water delivery (cups per hour)*	Chilled & Sparkling water delivery (cups per hour)	Power supply (amps)
BOILING CHILLED SPARKLING PLUS	906105LP	Quadra Sparkling Plus 15	XL Levered	Up to 100	15	85	250	200	1 x 10 1 x 15

\* Based on the initial number of cups of boiling water immediately available, drawn one cup every 10 seconds. For all underbench filtered water systems, consideration may be needed for usage patterns and draw-off methods. 1 cup = 170ml

## Accessories

**992800** - 70mm Riser & Font

**992820** - 70mm Riser

**992803** - 120mm Riser & Font

**992830** - 120mm Riser



**990714** - Tubing Extension Kit for Plus unit - 1.8mtrs

**990726** - Tubing Extension Kit for Sparkling unit - 2mtrs

## Finishes

Standard Finishes

CH - Chrome

BR - Brushed

MB - Matte Black

MW - Matte White

Special Order Finishes

RG - Rose Gold

BRG - Brushed Rose Gold

GM - Gun Metal Grey

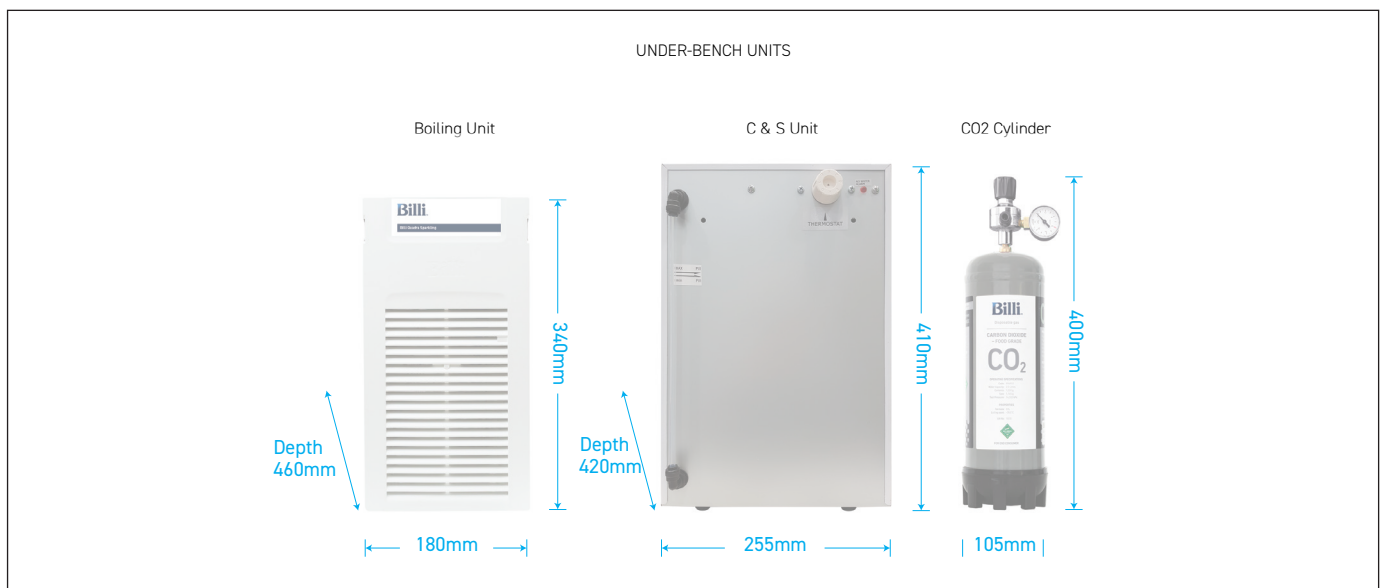
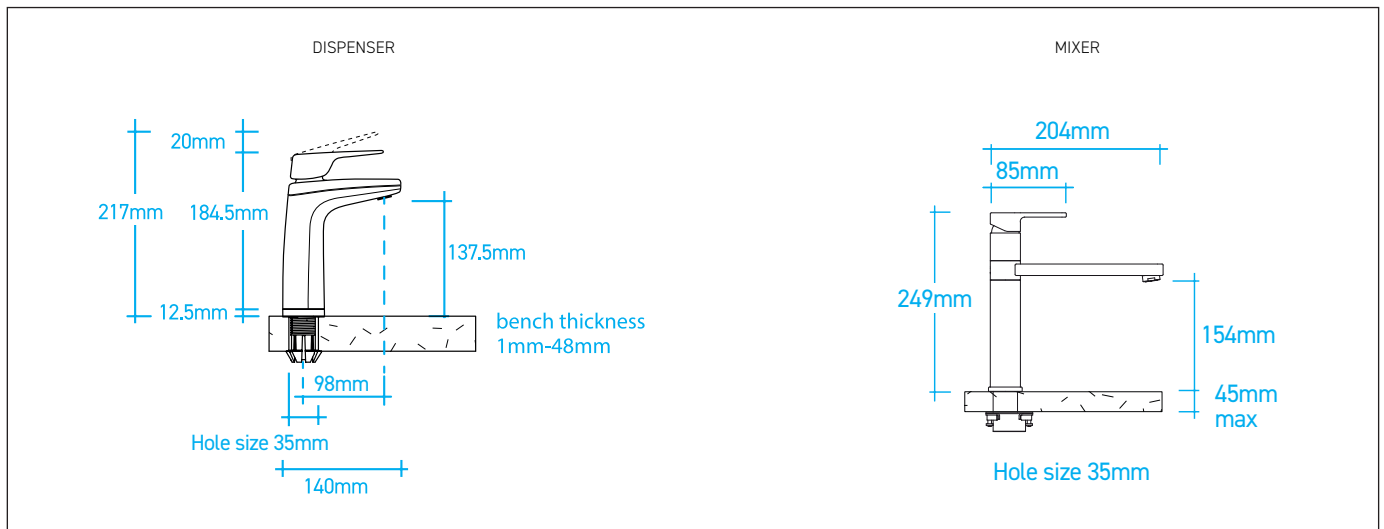
PL - Platinum

UB - Urban Brass

Add the Finish code to the Product Code to finalise your specification, eg. 906105LPMB

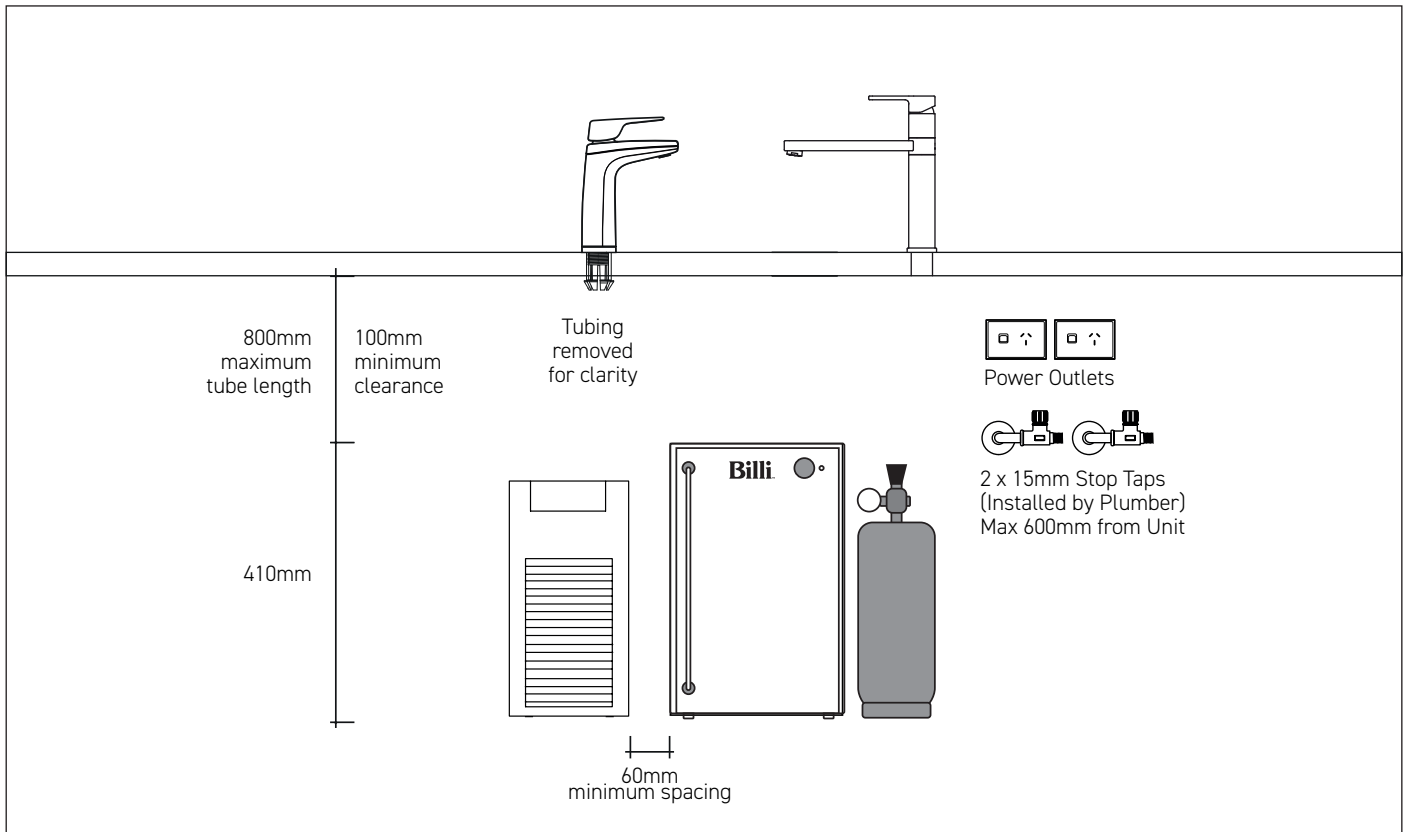
## TECHNICAL DRAWINGS

### PRODUCT DIMENSIONS



# INSTALLATION REQUIREMENTS

## PREFERRED INSTALLATION LAYOUT



### WATER SUPPLY

Two (2) 1/2" BSP (15mm) stop-taps with a male thread should be installed in an easily accessible position. Water supply must be microbiologically safe to drink, with a minimum dynamic water pressure of 250kPa and a maximum of 1000kPa.

### POWER SUPPLY

A standard 10 amp power outlet plus an additional standard 15 amp outlet are required. Both outlets located no further than 1000mm from the underbench unit. The system is supplied with a 1 metre flex cord and plug

### FILTRATION

Billi's range of premium filters utilise BWT's unique Fibron X technology. Billi's filter range provides superior taste, water quality, consistent filter life and peace of mind when it comes to hygiene. Filter supplied: 994051 (5 micron). Replacement filters available: 994052 (0.2 micron), 994054 (HSD), 994055 (XPHSD), 994056 (Sediment only) and 994060 (0.2 micron sediment only).

### CERTIFICATIONS

Every Billi drinking water appliance is manufactured under a certified quality control system. All Billi commercial range models have been tested and comply with all required standards including: Watermark: WM-022690; Tested to ATS5200.105 and AS/NZ 4020; ISO 9001:2015, QEC 11627; AS1428; HACCP: PE-872-WAT-1-02; WELL Cornerstone Member; WELS 6 star rating registration T40034.

### CO<sub>2</sub> Cylinder

The CO<sub>2</sub> gas cylinder supplied must be secured in a suitable location. Each cylinder contains 1100g of CO<sub>2</sub> and should be installed in a well ventilated area. Each cylinder will provide between 200-350L of sparkling water depending on the unit settings. The MSDS is available on [www.billi.com.au](http://www.billi.com.au) for a complete list of specifications and warnings. Replacement gas cylinders are available from Billi. CO<sub>2</sub> Cylinder - single 996911 or double 996912.

### WARRANTY

The Billi Quadra Sparkling Plus Range is covered by a comprehensive 2 year warranty on all parts and labour.

# Billi®



**Billi Australia Pty Ltd**  
42 Lucknow Crescent,  
Thomastown, Victoria  
3074 Australia

**P** 1800 812 321  
**F** +61 3 9469 0499  
**W** [www.billi.com.au](http://www.billi.com.au)

visit us at



Designed and manufactured in Australia to the highest quality standards