



Installation guide
Billi Alpine Sparkling
Dual levered slimline tap option
(933100, 933200)



Installation requirements.

IMPORTANT: This Billi appliance is to be installed by a licensed trades person in accordance with AS/NZS 3500.1 and AS/NZ 3500.2 and in compliance with applicable state regulatory requirements. For correct operation of this appliance, it is essential to observe the manufacturer's instructions. The Billi system is recommended to be installed on a safe tray in accordance with AS 3500.4 Clause.

Unpacking your Billi Alpine Sparking Unit

Before commencing installation, carefully check for any damage to outer carton, inner liner, appliance metalwork, pipework fittings and electrical power cord. If damage is found, please photograph and record details for use if a claim is to be made.

Warnings relating to this appliance must be read before commencing installation. Refer to page 8.

When unpacking your appliance, ensure you have identified the following components:

1. Chilled water module
2. Filter module (including filter)
3. CO₂ cylinder
4. CO₂ regulator
5. Dispenser - Slimline dual lever with tubing and flow controllers fitted.
6. User guide
7. Warranty registration card
8. Warning label
9. Installation kit including:
 - a. Pressure limiting valve
 - b. 1 x ¼-6mm fitting
 - c. 5 x 6mm stem elbow
 - d. 3 x 6mm tube – Black
 - e. 1 x 6mm tube – Clear
 - f. Plastic Ø6mm tube cap
 - g. 2 x Screws
- 10 Vent kit including:
 - a. Cupboard base vent grill
 - b. 2 x cupboard door spacer pads
 - c. Vent installation instructions
 - d. 4 x screws

Determine Unit Location

Plan the installation carefully, taking into consideration dispenser tube lengths, position of power and water outlets, ventilation airspace requirements and access for service. Refer to diagrams 1, 2, and 3. Diagram 4 shows minimum clearances required around the units for ventilation.

Power Requirements

A single 10 amp GPO is required installed in an accessible position. Refer to Diagram 1. Power circuits must be fitted with an earth leakage protection device (RCD). Chilled water module is supplied with a 1 meter flex cord and plug.

Water Supply

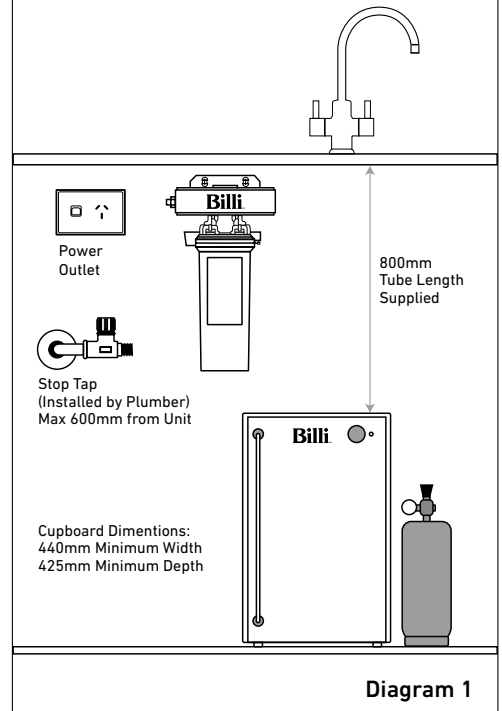
A single cold water supply point with a ½" BSP stop tap is required. Stop tap is to be installed in an easily accessible position, within 600 mm of the inlet to the boiling water module. Dynamic supply pressure: Min. 250 kPa, max, 600 kPa
Supply temp: Min. 5°C, max. 30°C

Do not install with water that is microbiologically unsafe or with water of unknown quality without adequate disinfection before or after the system. Systems certified for cyst reduction may be used on disinfected water that may contain filterable cysts.

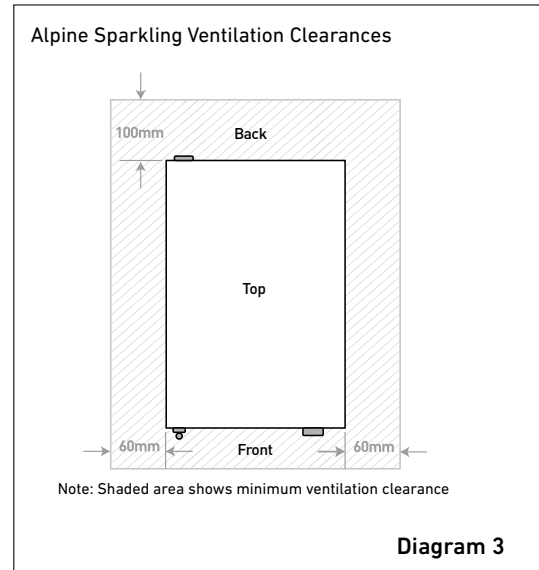
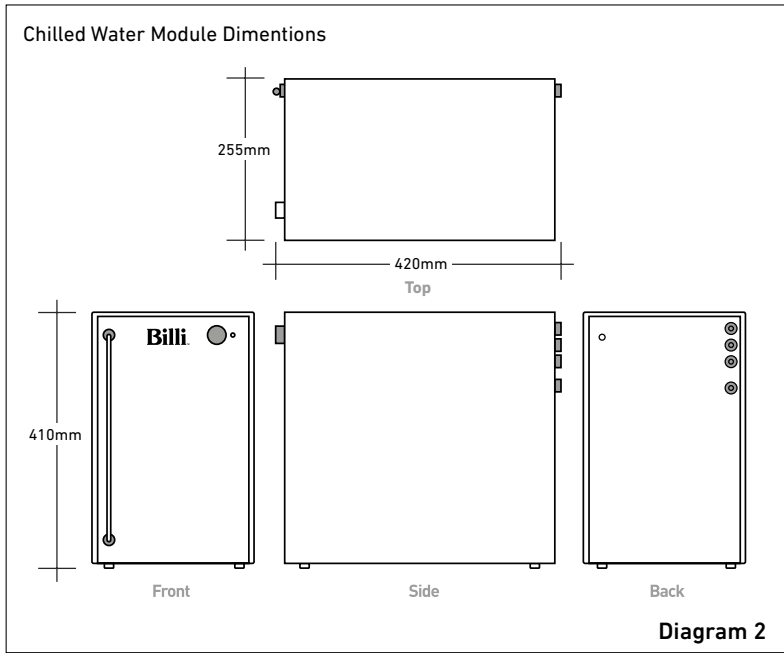
Ventilation Grilles

A ventilation kit including lower cupboard vent grille and 5mm door spacers is supplied with each Billi Sparkling/Chilled water unit. Separate installation instructions are provided within the vent kit packaging. For lower usage, domestic installations, sufficient ventilation may be provided by natural air movement through the cupboard airspace. Minimum area of lower and upper air vent openings is 100 cm²

Alpine Sparkling Suggested Layout



Installation requirements.

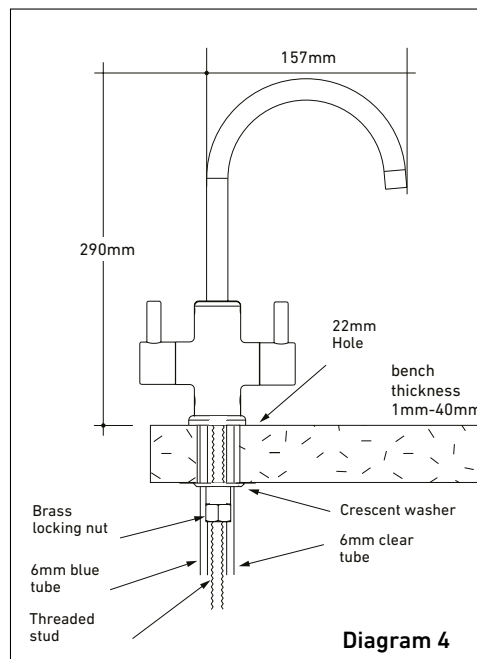


Installing the dispenser.

Install Dispenser Assembly

Determine position of dispenser mounting hole in sinktop or benchtop. Refer to Diagram 4 for clearances allowed and correct assembly. Hole size required is $\varnothing 22\text{mm}$. Maximum benchtop thickness is 54mm.

1. Screw the threaded stud into base of dispenser
2. Slide chrome mount base over tubes and up to the bottom of the dispenser. Ensure rubber sealing ring is at the bottom.
3. Feed dispenser tubing through the mounting hole.
4. Fit the crescent shaped washer onto the threaded shaft.
5. Fit retaining nut and hand tighten.
6. Check dispenser tubing is not pinched and dispenser is correctly orientated.
7. Tighten retaining nut



Installation schematic.

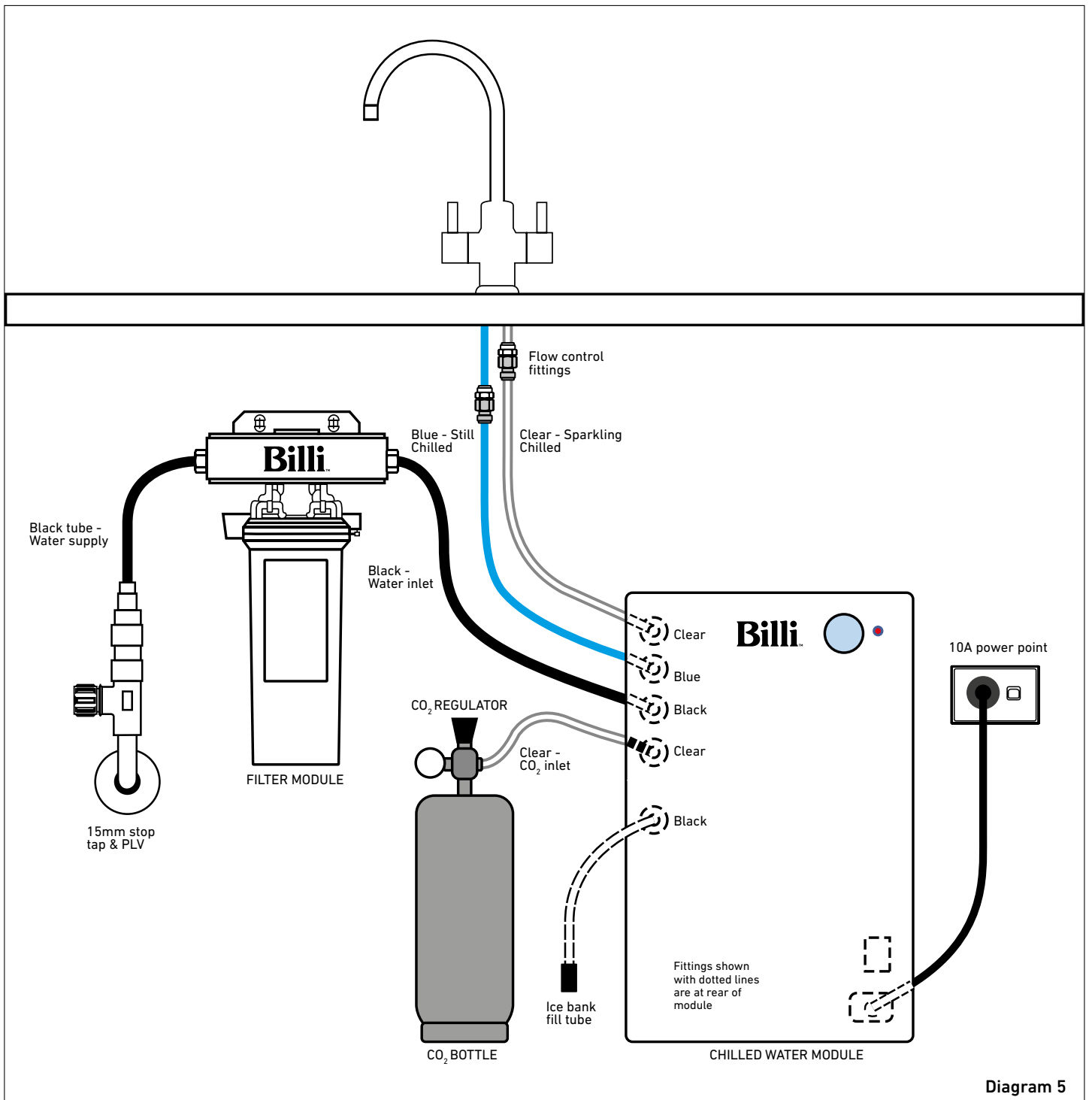


Diagram 5

Installing underbench module.

Install Pressure limiting valve

- Screw pressure limiting valve (PLV) onto water supply tap using thread sealant and PTFE plumbers tape.
- Fit ¼-6mm fitting to outlet of PLV

Flush Water Supply

Flush water supply pipework before installing the underbench unit by running water from supply tap into a bucket. NOTE: Blockages/ unit malfunction caused by debris are not covered by warranty.

Clearances for ventilation and service

Take care to observe minimum clearances. Refer to Diagram 1 and 3. Ensure there is adequate clearance for ventilation and service access to the units taking into consideration the tube lengths and space available.

Tubing

Tube connections are made using push-fit connectors. Trim tubes to correct length. Tubes should be cleanly cut square using a sharp knife or plastic tube cutter. Ensure that tube ends are round and not flattened or kinked, then push into connectors firmly until properly seated. (To release, press the collet ring in while gently pulling on the tube). Minimizing the tube lengths will improve the performance of the chilled and sparkling water.

Install Filter Module

Filter module must be mounted upright on either the side or the rear of the cabinet. Ensure there is sufficient clearance for changing the filter cartridge. Filter module is fixed using 2 x 6g screws supplied.

Install Chilled Water Module

Position chiller module in cupboard area observing ventilation clearance requirements.

Assemble CO₂ bottle and pressure regulator

- Remove CO₂ bottle from packaging box. Remove plastic cap from threaded outlet of bottle.
- Remove CO₂ pressure regulator from packaging and check pressure control knob is turned fully anticlockwise.
- Holding the CO₂ bottle upright, screw the pressure regulator onto outlet. A small amount of CO₂ gas will escape until regulator has been tightened.
- Decide location of CO₂ bottle in cupboard space.

Connect tubing

- Trim dispenser clear and blue tubes to correct length by holding tubes against outlet fittings at rear of chiller and marking cutting point.
- Fit 6mm stem elbows to ends of both clear and blue tubes.
- Tube elbow stems are inserted into bulkhead fittings at rear of chiller. Refer to diagram 5 and 7 for correct tube order and colour coding.
- Fit 6mm stem elbows to 2 x black and 1 x clear tube found in installation kit.
- Insert tube elbow stems into rear bulkhead fittings. Refer to diagram 5 and 7 for correct tube order and colour coding. Tip. It is easiest to fit these 3 tubes to chiller before unit is installed.
- Connect black water inlet tube to filter module OUTLET fitting.
- Fit clear 6 mm tube to compression fitting on CO₂ bottle regulator. Unscrew compression nut and slide tube over tapered fitting shank. Finger tighten compression nut. Refer to diagram 6.

NOTE: At this stage, do not connect black feed tube between the Water supply PLV and filter module. This will be connected once ice bank has been filled. Instead, connect the black ice bank fill tube to the water supply PLV outlet fitting. Refer to Diagram 5.

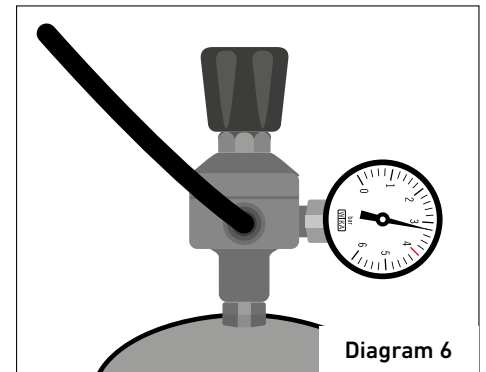


Diagram 6

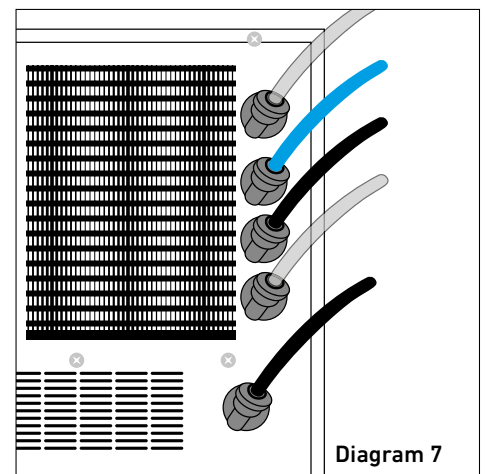


Diagram 7

Commissioning.

Fill Chiller Module ice bank

- Fit black ice bank fill tube from chiller into water supply PLV fitting. Refer to Diagram 5
- Turn on water supply tap slightly. After about 15 seconds, water will show in the bottom of the sight glass tube. Watch this level rise as water is fed in.
- Turn water tap off when water level reaches the minimum fill marker. Refer to Diagram 8. If tank is overfilled, disconnect sight glass elbow fitting from top bulkhead fitting and swing tube downwards and drain required amount of water. Water level in this tank will rise a little later as an ice bank forms.
- Disconnect 6 mm black fill tube from PLV outlet fitting. Fit black plastic cap supplied in installation kit onto end of tube. Tuck black tube behind modules for later use.
- Connect remaining black 6 mm tube from water supply PLV to INLET fitting of filter module.

Turn on Water Supply

Ensure filter is securely locked back into place. Turn on water supply tap and ensure that there are no leaks.

Turn on Power Supply

Plug chiller module power lead into power point and switch on. Ensure chiller power switch located at the rear of unit is ON. Sparkling units will begin filling automatically. See Diagram 9.

Turn on CO₂

- CO₂ supply is turned on by tightening the pressure adjusting knob clockwise. Set the initial pressure to around 4 Bar.
- Check CO₂ pipework and fittings for leakage using soapy water bubble test.

Chiller set up

- Ensure Chiller power lead is plugged into power point and turned on
- Ensure chiller module power switch located at rear of module is turned on.
- Press left chilled water lever on dispenser and let the water run for approximately 1 minute to condition filter.
- Press right sparkling water lever and run for approximately 20 seconds.
- Check all fitting connections for leakage.

Purging air from the CO₂ system

Air trapped in the soda tank is detrimental to the production of sparkling water and full carbonation may not be reached until 2-3 days of use. To speed this process, it is beneficial to purge the tank with CO₂ using the following procedure:

- Press RH tap levers and allow soda water to flow.
- Continue to run the tap until the tank is empty and gas flows from the outlet. Soda water feed pump will continue to run.
- Release tap lever. Wait until soda water pump stops. Some CO₂ gas may be released from internal relief valve as soda tank refills.
- Press each lever in turn and check that water flows.

Set Chilled Water Temperature

Set the desired water temperature using temperature control knob. Refer to Billi Alpine Sparking User Guide. Chiller refrigeration system will run continuously for approximately 2 – 3 hours as ice is formed in the ice bank. As a significant amount of heat is dispelled during this time, it is advisable to leave a cupboard door ajar during the initial cool down. As ice expands, the water level in the ice bank tank will rise slightly. Check water level is within operating range on sight glass level markings. Water level can be reduced if necessary. See Diagram 8.

Adjusting carbonation level

It is advisable to wait for cold water temperature to stabilize and air to be purged from the sparkling water unit before adjusting the carbonation level. Initial set point may vary once the unit is running. A pressure between 3 and 4 Bar will typically provide the right level of carbonization.

WARNING: Do not set the pressure to exceed 5 Bar

Re-check connections for leaks.
Explain operation to user.

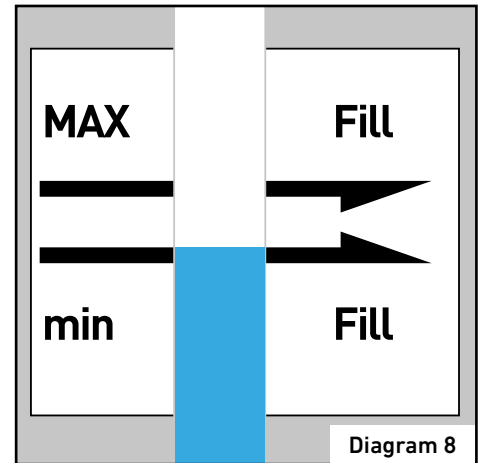


Diagram 8

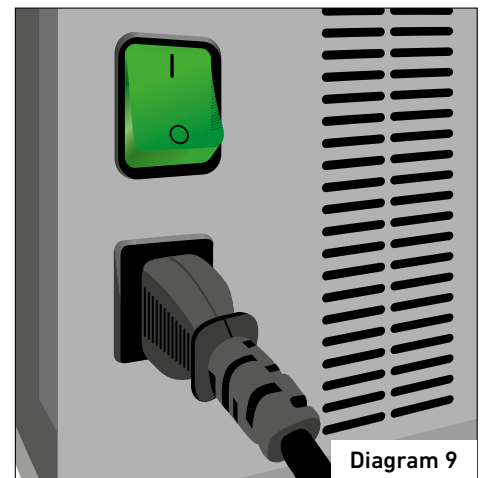


Diagram 9

Commissioning Checklist

WARNINGS.



CHECK EACH OF THE FOLLOWING ITEMS:

- Dispenser mounted securely.
- Tubing cut to correct lengths and not twisted or kinked.
- Tubing secured correctly
- Unit connected to COLD water supply.
- Water main flushed before connection to unit.
- Correct air clearances around unit.
- Power circuit fitted with an RCD – earth leakage protection device.
- Sawdust cleaned out of cupboard area.
- Door vents and spacer pads fitted correctly
- Unit cooling (after initial fill).
- Chilled and sparkling water flow correct.

If any difficulties arise contact
Billi Australia Pty Ltd: Phone 1800 812 321
(Free call). Validate your warranty online at
www.billi.com.au

**For information on our filtration
and service contracts please contact
Billi Customer Service on 1800 812 321
or service@billi.com.au.**

For continued safety of this appliance it must be installed, operated and maintained in accordance with the manufacturer's instructions. For correct operation of this appliance, it is essential to observe the instructions as outlined in this booklet.

- Your appliance should be installed by a suitably qualified tradesperson.
- For correct operation of this appliance it is essential to observe the instructions as outlined in this booklet.
- Do not use this appliance with water that is microbiologically unsafe or with water of unknown quality without adequate disinfection before or after the system. Systems certified for cyst reduction may be used on disinfected water that may contain filterable cysts.
- Filter replacement must be performed at intervals of not more than 12 months.
- Use this appliance only as directed in these instructions and relevant Billi User Guide and only for its designed purpose.
- Do not install unit if power cord is damaged.
- If the appliance has been turned upside down during transport and handling, wait at least 8 hours before switching appliance on.
- This appliance is not intended for use by persons (including children) with reduced physical, sensory or mental capabilities, or lack of experience and knowledge, unless they have been given supervision or instruction concerning use of the appliance by a person responsible for their safety. Children should be supervised to ensure that they do not play with the appliance.
- This appliance is designed for indoor installation only and must not be exposed to direct sunlight, rain and excessive heat, cold, damp or dust.
- Do not store solvents or corrosive chemicals or other flammable items on or around this appliance
- DANGER:** High Voltages. Power supply must be disconnected before cleaning or removing and outer covers from the appliance. Any service or unit repairs must be performed by a trained and suitably qualified technician.
- If the supply cord is damaged, it must be replaced by the manufacturer, its service agent or similarly qualified persons in order to avoid a hazard.
- New hose-sets supplied with the appliance are to be used and old hose-sets should not be re-used.
- Packaging material including plastic bags must be kept out of reach of children and disposed of according to local regulations.

Billi™

Billi Australia Pty Ltd
42 Lucknow Crescent, Thomastown
Victoria 3074 Australia
Telephone 1800 812 321
www.billi.com.au

Designed and manufactured in Australia.
As Billi Australia Pty Ltd has a policy of continual improvement, all details are subject to change without notice. All goods are sold subject to our published terms and conditions. Billi is a registered trademark. 0820