

COMMERCIAL DATA SHEET - Wall Mount Soap Sensor

Billi™

Billi Wall Mount Soap Sensor Dispenser

Billi's contactless soap dispenser range uniquely features it's infrared sensor built into the spout. This sensor automatically detects hand movement in the dispensing zone and has a configurable run time of between 0.5 seconds and up to 10 seconds, reducing wastage.

The soap dispenser range is ideal for use in food preparation, healthcare, aged care, residential bathrooms, childcare, schools and universities, and commercial washrooms.



Wall Mount Soap Sensor Dispenser

Soap Reservoir Unit



Features



CONTACTLESS DISPENSING



SENSOR ACTIVATED



USER FRIENDLY & ERGONOMIC DESIGNED



RANGE OF FINISHES



MAINS OR BATTERY POWER



SUITABLE USE WITH LIQUID SOAP

PRODUCT SPECIFICATIONS

| Water type | Product code | Model name | Reservoir size | Max dispense time |
|--------------------|--------------|----------------------------------|----------------|-------------------|
| <p>SOAP SENSOR</p> | 982411 | Wall Mount Soap Sensor Dispenser | 1700ml | 10 seconds |

Accessories

948105 - Back of wall PVC install kit

Finishes

Standard Finishes

CH - Chrome

BR - Brushed

MB - Matte Black

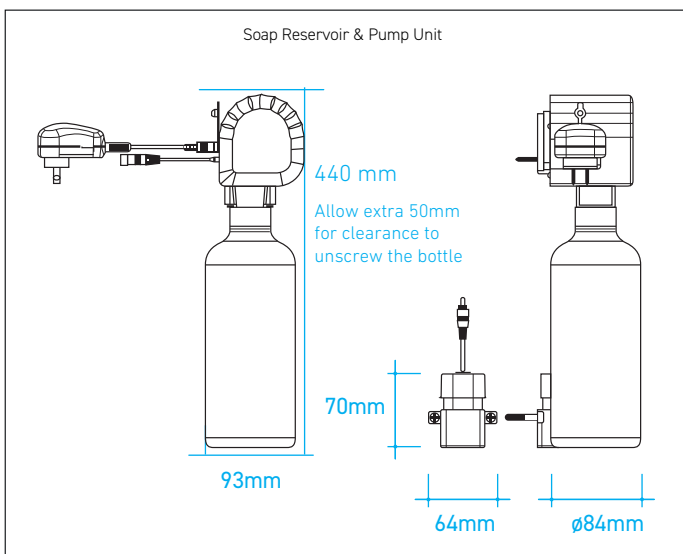
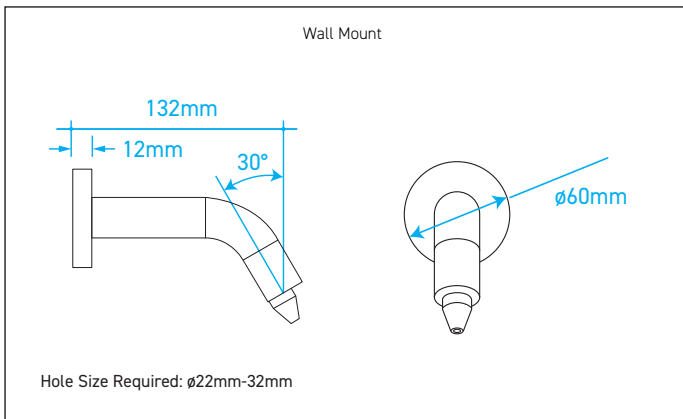
Special Order Finish

UB - Urban Brass

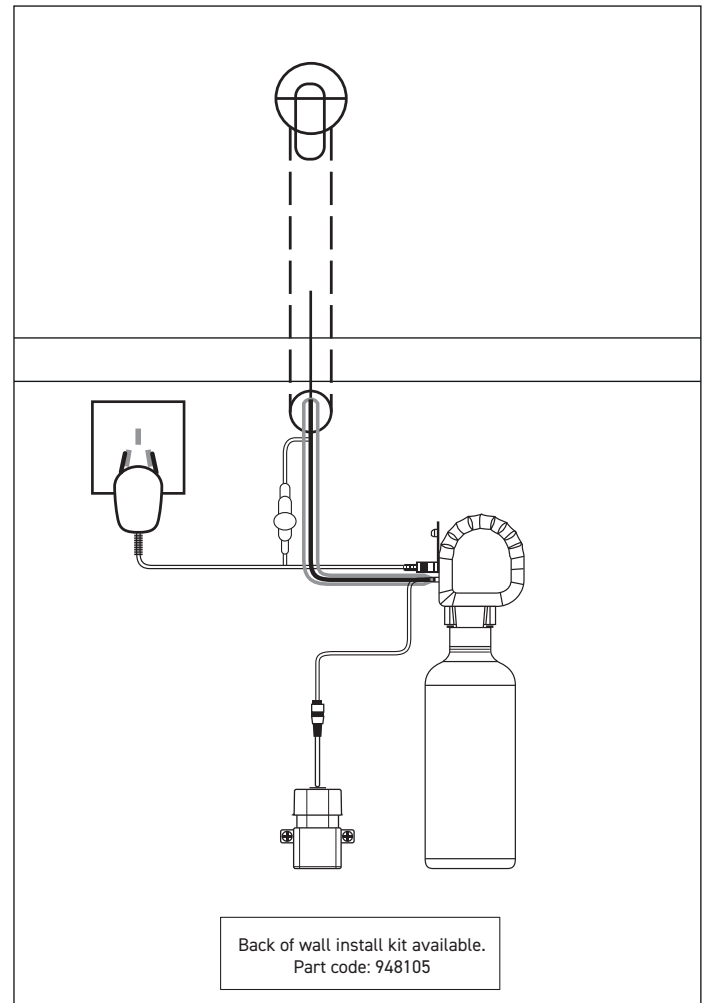
Add the Finish code to the Product Code to finalise your specification, eg. 982411CH

TECHNICAL DRAWING & INSTALLATION REQUIREMENTS

PRODUCT DIMENSIONS



PREFERRED INSTALLATION LAYOUT



POWER SUPPLY

The Billi sensor tap is supplied with battery or mains power packs.
 Battery: 6V DC / 4 x 1.5 AA batteries (not supplied).
 Mains: 240V 10 amp GPO.
 The control box must be fitted no more than 1100mm from the outlet.
 Transformer power supply lead is 1300mm long. All Billi sensor taps are supplied with wall plugs and screws.

CERTIFICATIONS

The Billi Sensor Soap Dispensers are manufactured under a certified quality control system. Billi Sensor Soap Dispensers have been tested and comply to:
 ISO9001:2015, QEC 11627;
 WELL member mark;
 Compliant to AS1428.

WARRANTY

The Billi Washroom Range is covered by a comprehensive 12 month warranty on all parts and labour.

Billi™

Billi Australia Pty Ltd
 42 Lucknow Crescent,
 Thomastown, Victoria
 3074 Australia

P 1800 812 321
F +61 3 9469 0499
W www.billi.com.au

visit us at



Designed and manufactured in  to the highest quality standards