

# COMMERCIAL DATA SHEET - Luxgarde UVC Purification Device

# Billi®

## Billi Luxgarde UVC Purification Device - ECO/BILLI HOME BC

Billi's newest purification device harnesses the latest in UVC LED technologies packed into an energy efficient, reliable and robust module.

Providing effective defence against possible waterborne pathogens, Luxgarde is the ideal solution for new & existing installations in Health, Aged Care, Workplace, Public and Residential environments.

Luxgarde's drinking water purification technology is designed to keep your water pure, your people safe and your family protected.



## PRODUCT COMPATIBILITY



BOILING



CHILLED

## UVC Purification Device



## Features



PURIFICATION  
DEVICE



WQA  
GOLD SEAL  
CERTIFIED



WELL  
CERTIFIED



BIO FILM  
CONTROL



LEAD SAFE  
PRODUCT



EASY  
INSTALLATION



USER FRIENDLY  
& ERGONOMIC  
DESIGNED



AUTOMATED  
ACTIVATION



RETROFITTABLE

## Product Efficacy

- ✓ 1L/min. pathogen reduction of **99.9999%**
- ✓ 2.5L/min. pathogen reduction of **99.9999%**
- ✓ 3L/min. pathogen reduction of **99.9999%**

## Hygiene Protection Protocol

Luxgarde is fitted with an automatic protocol to protect against biofilm accumulation. The device will switch **Disinfection ON** for a run time of 2 minutes after 12 continuous hours of non-use.

## PRODUCT SPECIFICATIONS

Water type	Product code	Model name	Max pressure	Power	Flow rate
<p>BOILING CHILLED</p>	994107	Luxgarde UVC Purification Device - Eco/Billi Home BC	690kPa	24V DC	0.5 - 6L/min.

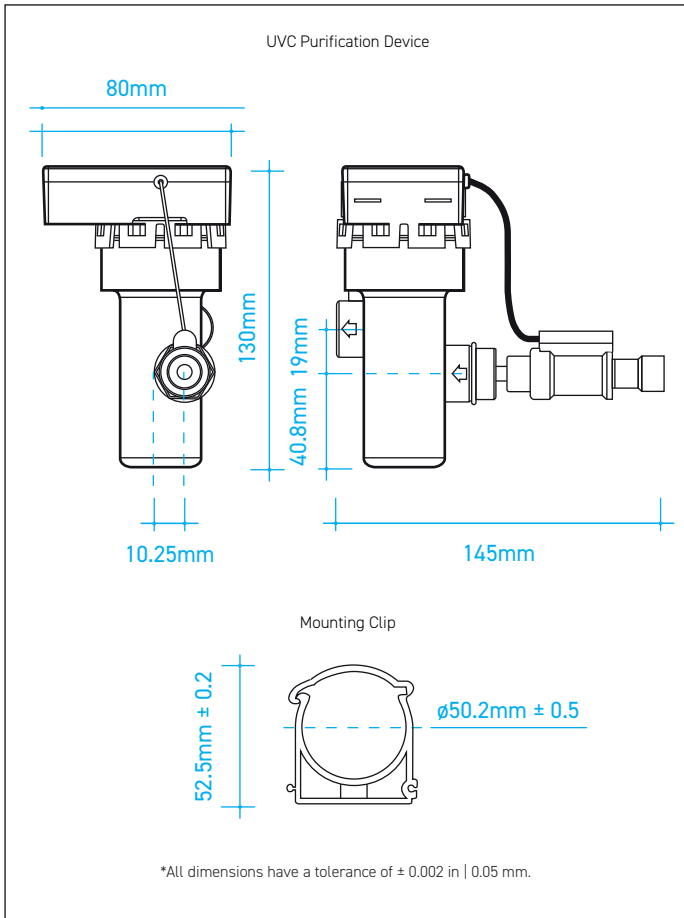
## Service & Maintenance

The Luxgarde UVC Purification Device has no serviceable parts. It should not be modified or disassembled in any way. Doing so may result in damage, hazardous operation and Ultraviolet (UVC) light exposure hazards.

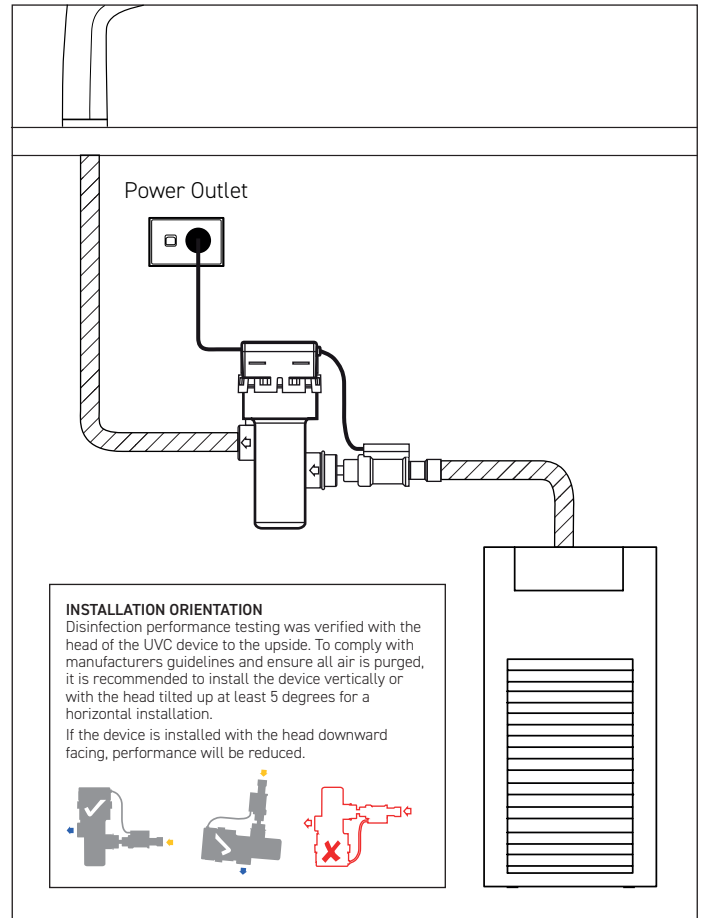
LED UVC Modules are consumable items and should be replaced after 450 hours of LED activation operation, or a maximum of 3 years, whichever comes first. Failure to replace device within recommended time frame will result in diminished performance and potentially void your warranty.

# TECHNICAL DRAWING & INSTALLATION REQUIREMENTS

## PRODUCT DIMENSIONS



## PREFERRED INSTALLATION LAYOUT



### WATER SUPPLY

The Billi Luxgarde Purification Device has been tested and can operate under pressure up to 690kPa. Minimum trigger flow rate to activate UVC purification is 0.5L/min.

### POWER SUPPLY

The Luxgarde purification device is supplied with mains power pack. Mains: 24V DC 10 amp GPO.

### SERVICING

There are no serviceable part on Luxgarde, please ensure replacement device is installed after 450 hours of activation or 3 years.

### CERTIFICATIONS

Billi's UVC Purification Device is manufactured under a certified quality control system. Luxgarde devices have been tested and comply to:

Watermark WM-032277 and WMTS103;  
Certified to AS/NZ3498 and AS/NZ 4020;  
ISO9001:2015, QEC 11627;  
WELL member mark;  
WQA NSF55 Class B Listing.

### WARRANTY

Luxgarde is part of Billi's range of UVC water treatment products, and is covered by a comprehensive warranty of 18 months on all parts & labour. Warranty commences at date of purchase from Billi.

# Billi®



Billi Australia Pty Ltd

P 1800 812 321  
W www.billi.com.au

Billi New Zealand Ltd T/As Merquip

P 0800 636 0 636  
W www.merquip.co.nz

visit us at

