

HOME DATA SHEET

Billi Home C Extended Spout Square



Billi®

Billi Home C Extended Spout Square Dispenser

Refreshing chilled filtered water conveniently at your fingertips. With a large chilling capacity and a never-ending supply of filtered water once the chilled tank has been depleted, the Home C is ideal for typical family use, glass after glass.

The stylish extended spout square dispenser is available in a range of finishes that are sure to be compatible to any kitchen decor.

Supplied standard with 994052 sub-micron filtration from BWT to deliver the freshest tasting water and ensure the health of your family & guests.



CHILLED

Extended Spout Square Dispenser



Home C Under-Bench Unit



Features



PRODUCT SPECIFICATIONS

| Water type | Product code | Model name | Dispenser | Power supply (amps) | Suggested Usage |
|------------|--------------|------------|---------------------------------|---------------------|--|
| CHILLED | 913000E | Home C | Extended Spout Square Dispenser | 10 | <ul style="list-style-type: none">• Drinking water filtration• Instant Chilled beverages• Cooking & Food preparation |

Accessories

992810 - Slimline Font

990724 - Tubing Extension Kit for Slimline 2mtrs



Finishes

Standard Finishes

CH - Chrome

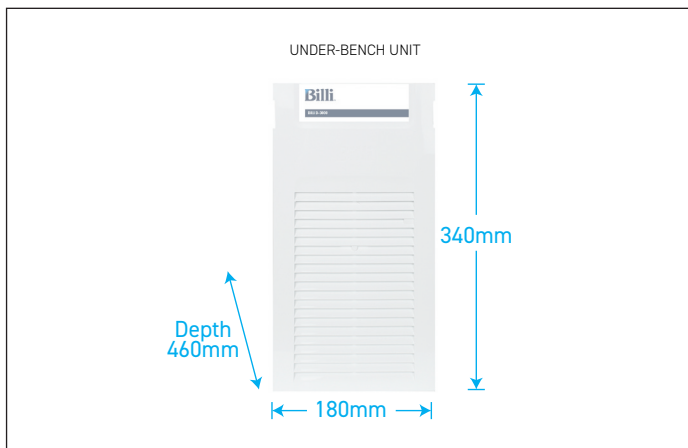
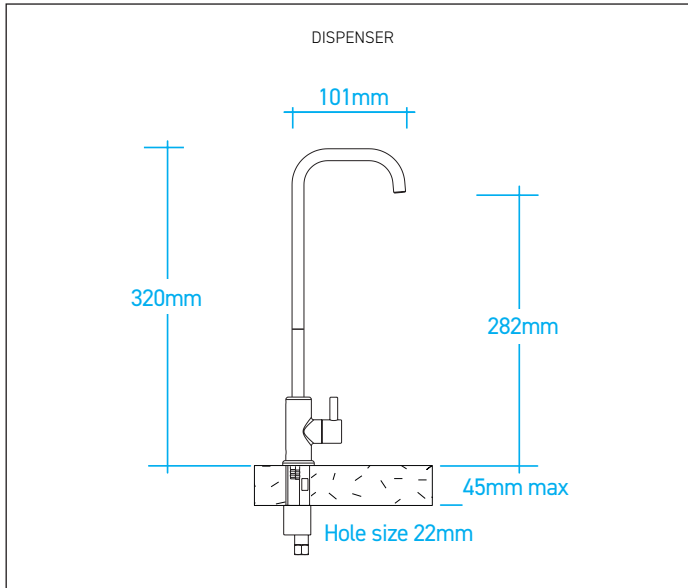
BR - Brushed

MB - Matte Black

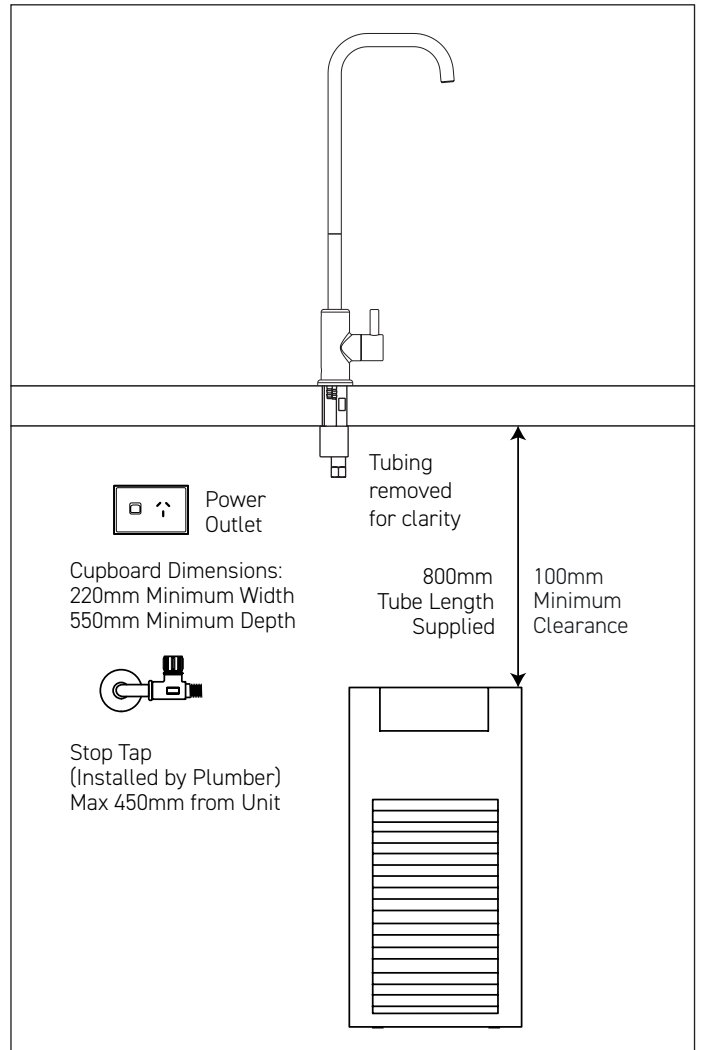
Add the Finish code to the Product Code to finalise your specification, eg. 932210EMB

TECHNICAL DRAWING & INSTALLATION REQUIREMENTS

PRODUCT DIMENSIONS



PREFERRED INSTALLATION LAYOUT



WATER SUPPLY

A single 1/2" BSP (15mm) stop-tap with a male thread should be installed in an easily accessible position. Water supply must be microbiologically safe to drink, with a minimum dynamic water pressure of 250kPa and a maximum of 1000kPa.

POWER SUPPLY

A standard 10 amp power outlet is required, no further than 1000mm from the underbench unit. The system is supplied with a 1 metre flex cord and plug.

FILTRATION

Billi's range of premium filters utilise BWT's unique Fibron X technology. Billi's filter range provides superior taste, water quality, consistent filter life and peace of mind when it comes to hygiene.

Filter supplied: 994052 (0.2 micron). Replacement filters available: 994051 (5 micron option), 994054 (HSD option), 994055 (XPHSD Fibron XP), 994056 (Sediment only) and 994060 (Micron HF Sediment Only).

CERTIFICATIONS

Every Billi drinking water appliance is manufactured under a certified quality control system. All Billi home range models have been tested and comply with all required standards including: Watermark: WM-021882; HACCP: PE-872-WAT-1-02; ISO 9001:2015, QEC 11627; Tested to ATS5200.105 and AS/NZ 4020; Section J6.6 of the BCA; WELL Cornerstone Member.

WARRANTY

The Billi Home C Range is covered by a comprehensive 2 year warranty on all parts and labour.

Billi®



Billi Australia Pty Ltd

P 1800 812 321

W www.billi.com.au

Billi New Zealand Ltd T/As Merquip

P 0800 636 0 636

W www.merquip.co.nz

visit us at

