



FILTERED



SPARKLING



CHILLED



BOILING

# Billi®

Superior Instant Filtered Water

# flow MEETS FUNCTION

The Billi Multifunction Mixer Tap is a testament to our commitment towards innovation and excellence, we've created a perfect filtered water system that is both functionally versatile and aesthetically elegant for any modern kitchen.

Recognised by Good Design Australia awards, our Multifunction Mixer Tap exemplifies the perfect blend of state-of-the-art filtration with under-bench technology, making it one seamless solution where 'Flow meets Function'.



## ELEVATED TAP ARCH

Elevate your kitchen with an increased height clearance of 260mm, with 180° degrees of arch rotation.

## OPTIMISED SPOUT TIP

Over 2 years of innovation and rigorous testing to ensure optimal user experience.

## SPACE SAVING

2 fixtures in 1 that offer a worry-free classic installation or a seamless retrofit, increasing valuable counterspace.

## AWARDED BY EXPERTS

Critiqued and recognised by a panel of global design experts as a solution to satisfy density reform in residential developments & flexible workspaces.



All in One Multifunction Mixer Tap. Seamlessly Integrated User Interface.

## ONE 5 in 1 FUNCTIONALITY

One multifunctional fixture to match Billi's range of instant filtered boiling, chilled, sparkling and mains fed hot/cold water systems.

## ERGONOMIC INTERFACE

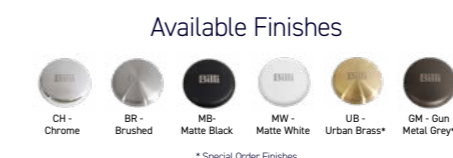
Practical touch-sensor user interface placed on the side to reduce risks of scalding, splashing, and accidental dispense.

## SMART SAFETY

"Red for no, green for go." Smart locking tech with visual safety and fault indicators, in line with Billi's protection protocols.

## AUSTRALIAN DESIGNED & MADE

Compliant to Watermark with a 5-Star WELS rating to meet & exceed ANZ Standards.



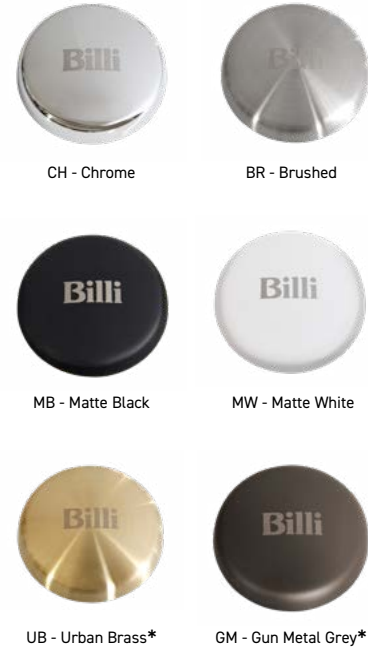
\* Special Order Finishes

# Commercial Range Selection Guide

## 1. CHOOSE YOUR UNIT TYPE

WATER SYSTEMS	MODEL	CODES
   <b>BOILING</b> <b>CHILLED</b> <b>SPARKLING</b>	OmniOne Pro60 Eco Sparkling Quadra Sparkling 460 Quadra Sparkling 4100	926060G 906000G 906060G 906100G
  <b>BOILING</b> <b>CHILLED</b>	Eco Quadra Compact Quadra 420 Quadra 440 Quadra 460 Quadra 4100 Quadra 4180	901000G 904010G 904020G 904040G 904060G 904100G 904180G
  <b>BOILING</b> <b>STILL</b>	Sahara 310 Sahara 320 Sahara 360 Sahara 3120	943010G 943020G 943060G 943120G
  <b>CHILLED</b> <b>STILL</b>	Alpine 125	932125G

## 2. CHOOSE YOUR PREFERRED FINISH



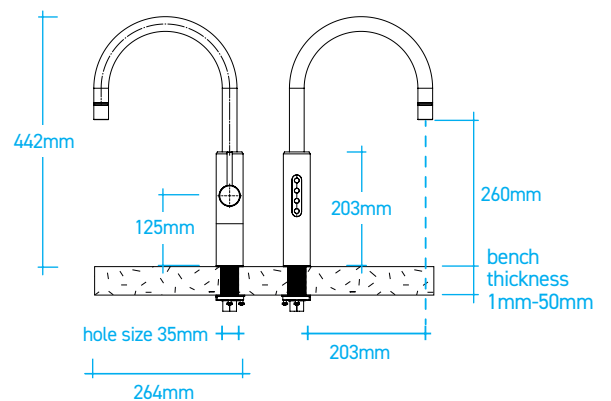
*\*Special Order Finishes: Longer lead times may apply.*



### Multifunction Mixer Tap G

Award winning multifunction dispenser capable of dispensing filtered drinking water and domestic water for the sink from a single fixture. Requires Hot & Cold mains connection.

Add 'G' and finish code to product code (906100GCH)



Contact your Specification Representative today to create your ideal Project Spec.

1800 812 321

www.billi.com.au

